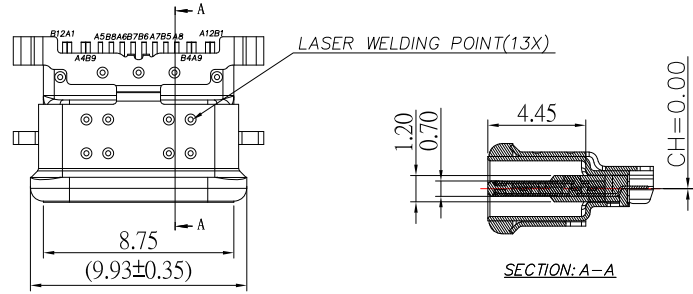


SBC-WP160M6-20x-S332

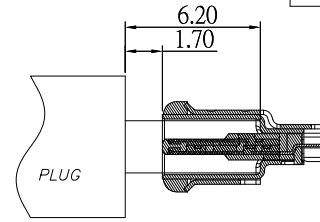
鍍層厚度 :

- Blank : 1u"
- 2 : 15u"
- 3 : 30u"

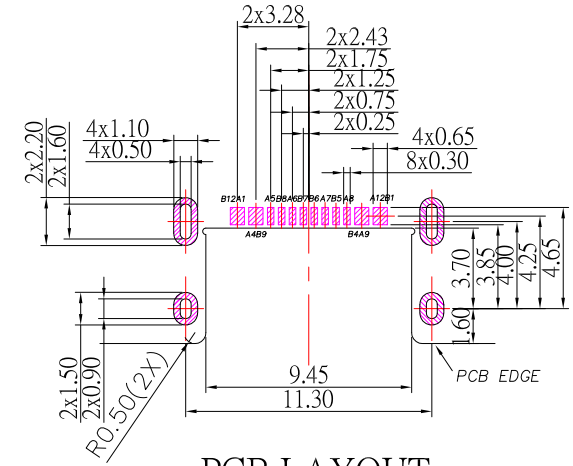
IPX7



SECTION: A-A



AFTER MATING



PCB LAYOUT

SPECIFICATIONS

Electrical:

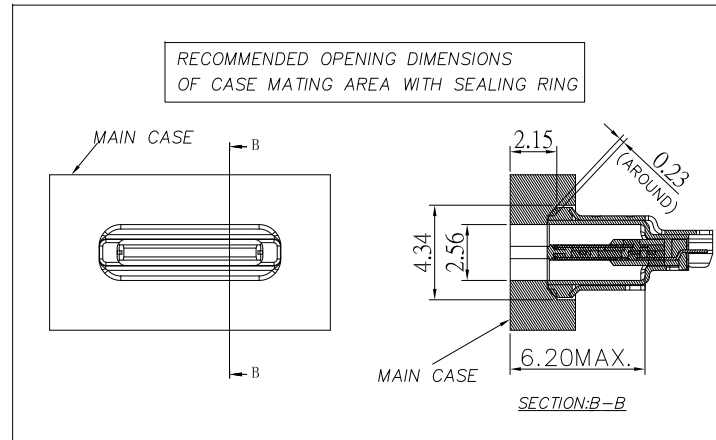
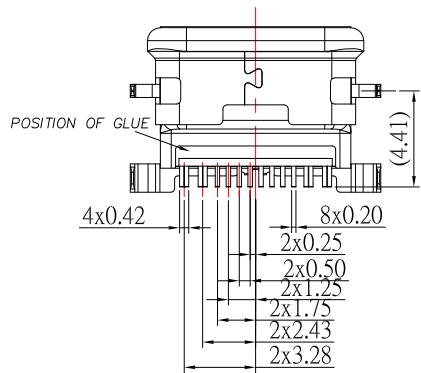
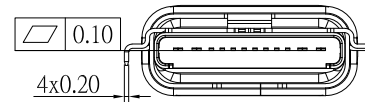
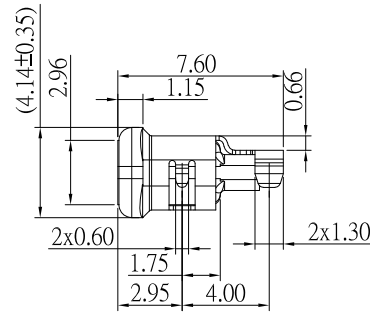
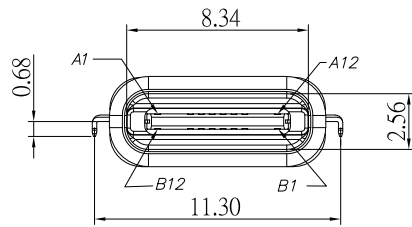
1. Rating: 48V , 5.0 A
2. Contact Resistance: 40 mΩ Max
3. Insulation Resistance: 100 MΩ Min

Mechanical:

1. Connector Mate and Unmate Force
 - 1.1 Mate force: 5~20 N
 - 1.2 Unmate force: 8~20 N

Material:

1. Housing: PA9T
2. Contact: C18150
3. Shell: SUS
4. Finish:
 1. Contact: Plated Gold in Mating Area ;
Gold Plated on Solder Balls ;
Nickel under plated overall
 2. Shell: Nickel under Plated surface layer



USB TYPE-C PIN ASSIGNMENTS

| PIN NUMBER | SIGNAL NAME | PIN NUMBER | SIGNAL NAME |
|------------|-------------|------------|-------------|
| A1 | GND | B12 | GND |
| A4 | Vbus | B9 | Vbus |
| A5 | CC1 | B8 | SBU2 |
| A6 | Dp1 | B7 | Dn2 |
| A7 | Dn1 | B6 | Dp2 |
| A8 | SBU1 | B5 | CC2 |
| A9 | Vbus | B4 | Vbus |
| A12 | GND | B1 | GND |

CONTACT 建倚科技股份有限公司
CONTACT TECHNOLOGY CORP.

| | | | | | | | | |
|-------------------------------------|--------------|-------------------|--------------------|--------------------|------------|--------------|-------|----|
| TOLERANCE UNLESS OTHERWISE STATED : | Up to 5 ±0.2 | Above 5 ~ 15 ±0.3 | Above 15 ~ 30 ±0.4 | Above 30 ~ 50 ±0.5 | Angle ±0.3 | 3RD. ANGEL'S | UNITS | MM |
|-------------------------------------|--------------|-------------------|--------------------|--------------------|------------|--------------|-------|----|

| | | | | |
|--------------|----------|----------|----------------------|------------------------------------|
| DRAWN BY: | DATE | MAT'L | TITLE | CONNECTOR |
| Jack Lu | 10/16/24 | | MODLE | USB TYPE C 2.0 沉板 CH 0.0mm 防水型IPX7 |
| CHECKED BY: | DATE | FINISH | DWG NO. | SBC-WP160M6-20x-S332 |
| Jacky Chen | 10/16/24 | | SHEET NO. | 1 of 1 |
| APPROVED BY: | DATE | PART NO. | SBC-WP160M6-20x-S332 | SIZE A4 |
| Tony Kao | 10/16/24 | | | VER R |

| | | | |
|----------|-------------|-------|------|
| ITEM NO. | DESCRIPTION | DRAWN | DATE |
| | | | |