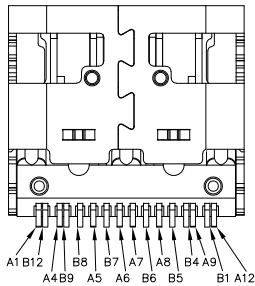
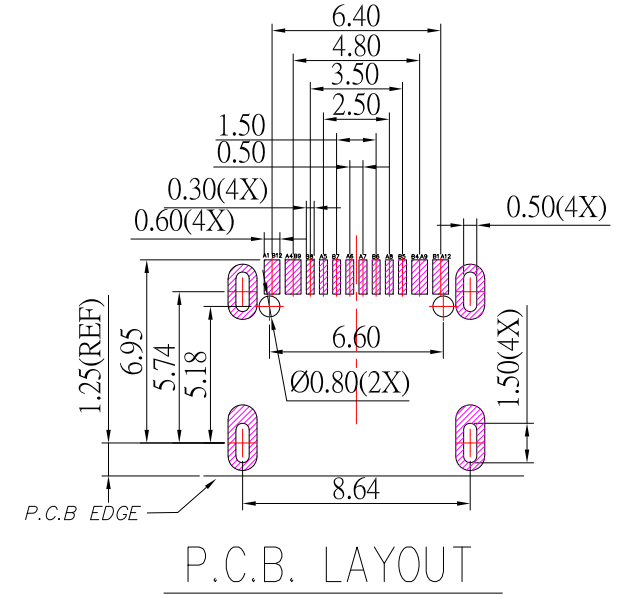
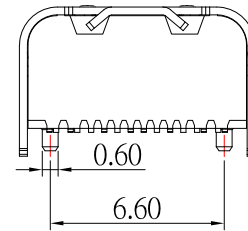
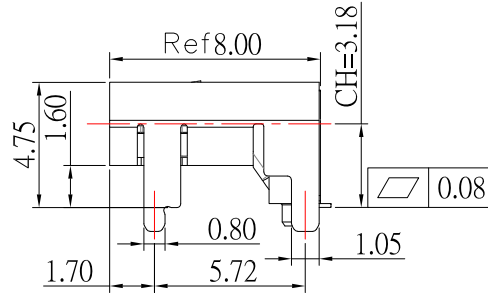
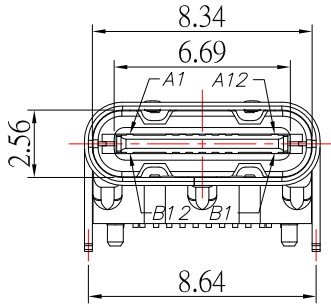
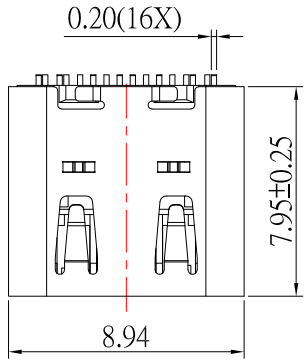




SBC-160S18-20x-S410

鍍層厚度：

Blank : 1u"
2 : 15u"
3 : 30u"



USB TYPE-C PIN ASSIGNMENTS

PIN NUMBER	SIGNAL NAME	PIN NUMBER	SIGNAL NAME
A1	GND	B12	GND
A4	VBUS	B9	VBUS
A5	CC1	B8	SBU2
A6	Dp1	B7	Dn2
A7	Dn1	B6	Dp2
A8	SBU1	B5	CC2
A9	VBUS	B4	VBUS
A12	GND	B1	GND

SPECIFICATIONS

Electrical:

- 1.Rating: 5.0 A
- 2.VOLTAGE: 20V
- 3.Dielectric Withstand Voltage: 100V AC
- 4.Contact Resistance: 40 mΩ Max
- 5.Insulation Resistance: 100 MΩ Min

Mechanical:

- 1.Connector Mate and Unmate Force
 - 1.1 Mate force: 5~20 N
 - 1.2 Unmate force: 8~20 N

Material:

- 1.Housing: LCP
- 2.Contact: C7025
- 3.Shell: SUS

Finish:

- 1.Contact: Plated Gold in Mating Area ;
Tin Plated on Solder Balls ;
Nickel under plated overall
- 2.Shell: Nickel under Plated surface layer



TOLERANCE UNLESS OTHERWISE STATED :	Up to 5 ±0.2	3RD. ANGEL'S	UNITS	MM
	Above 5 ~ 15 ±0.3			
	Above 15 ~ 30 ±0.4			
	Above 30 ~ 50 ±0.5			
	Angle ±0.3			

DRAWN BY:	DATE	MAT'L	TITLE	CONNECTOR
Jack Lu	07/17/24	FINISH	MODLE	USB 3.1 TYPE C 單排SMT墊高CH3.18 L 7.95mm
CHECKED BY:	DATE	SCALE	DWG NO.	SBC-160S18-20x-S410
Jacky Chen	07/17/24	1 : 1	PART NO.	SBC-160S18-20x-S410
APPROVED BY:	DATE	SHEET NO.	1 of 1	
Tony Kao	07/17/24			

ITEM NO.	DESCRIPTION	DRAWN	DATE