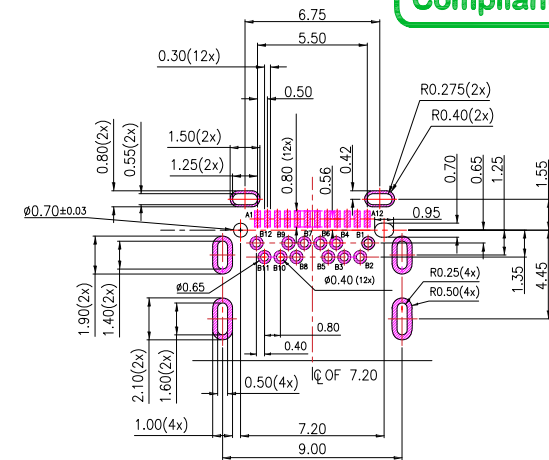


SBC-WP240S7-31x-S404

鍍層厚度:

Blank : 1u"
2 : 15u"
3 : 30u"

IPX7



RECOMMENDED PCB LAYOUT(TOP VIEW)

**SPECIFICATIONS**

**Electrical:**

1. Rating: 5.0A
2. Contact Resistance: 40 mΩ Max
3. Insulation Resistance: 1000 MΩ Min

**Mechanical:**

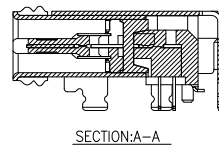
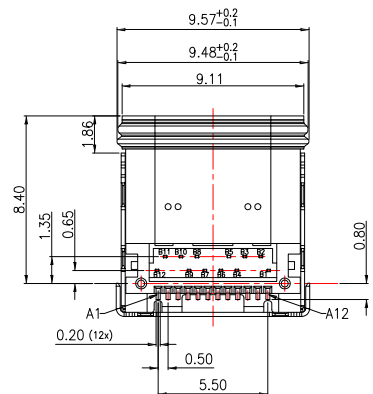
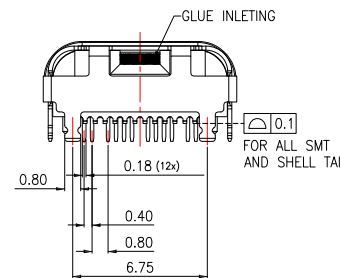
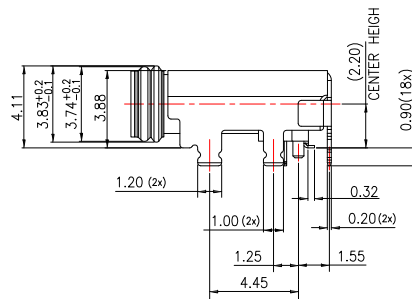
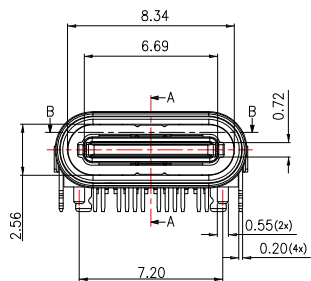
1. Connector Mate and Unmate Force
  - 1.1 Mate force: 5~20 N
  - 1.2 Unmate force: 8~20 N

**Material:**

1. Housing: PA46
2. Contact: C7025
3. Shell: SUS

**Finish:**

1. Contact: Plated Gold in Mating Area ;  
Gold Plated on Solder Balls ;  
Nickel under plated overall
2. Shell: Nickel under Plated surface layer



PIN	SIGNAL NAME	PIN	SIGNAL NAME
A1	GND	B12	GND
A2	SSTXP1	B11	SSTXP1
A3	SSTXN1	B10	SSTXP1
A4	VBUS	B9	VBUS
A5	CC1	B8	SBU2
A6	Dp1	B7	Dn2
A7	Dn1	B6	Dp2
A8	SBU1	B5	CC2
A9	VBUS	B4	VBUS
A10	SSRXN2	B3	SSRXN2
A11	SSRXP2	B2	SSRXP2
A12	GND	B1	GND

FOUR GND PIN(A1,A12,B1,B12) ARE CONNECTOR.  
FOUR VBUS PIN(A4,A9,B4,B9) ARE CONNECTOR.

**CONTACT** 建倚科技股份有限公司  
**CONTACT TECHNOLOGY CORP.**

TOLERANCE UNLESS OTHERWISE STATED :	Up to 5 ±0.2 Above 5 ~ 15 ±0.3 Above 15 ~ 30 ±0.4 Above 30 ~ 50 ±0.5 Angle ±0.3	3RD. ANGEL'S		UNITS	MM
-------------------------------------	---	--------------	--	-------	----

DRAWN BY:	DATE	MATL	TITLE	CONNECTOR
Jack Lu	08/12/24	FINISH	MODLE	USB 3.1 TYPE C 防水型
CHECKED BY:	DATE	SCALE	DWG NO.	SBC-WP240S7-31x-S404
Jacky Chen	08/12/24	1 : 1	PART NO.	SBC-WP240S7-31x-S404
APPROVED BY:	DATE	SHEET NO.	1 of 1	
Tony Kao	08/12/24			

ITEM NO.	DESCRIPTION	DRAWN	DATE
----------	-------------	-------	------