

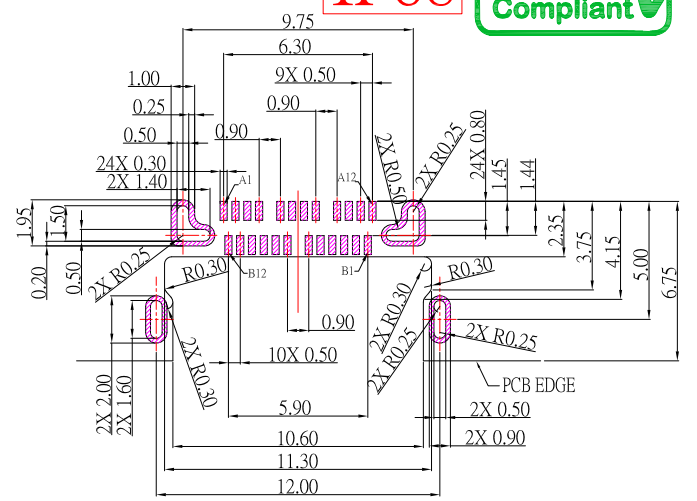
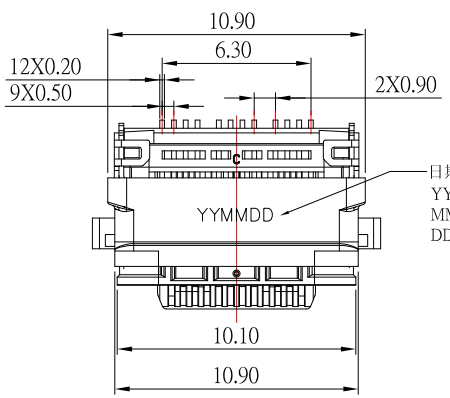
IP68



SBC-WP240M7-43x-S410

鍍層厚度：

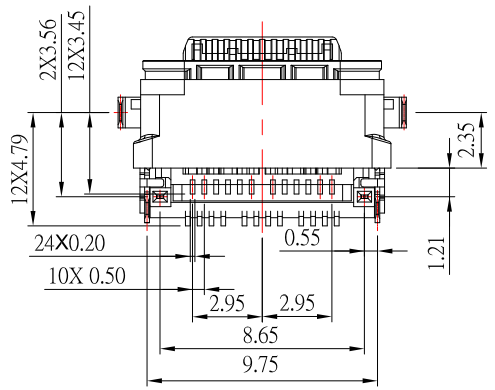
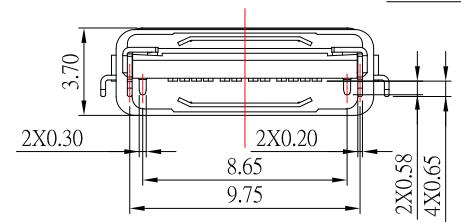
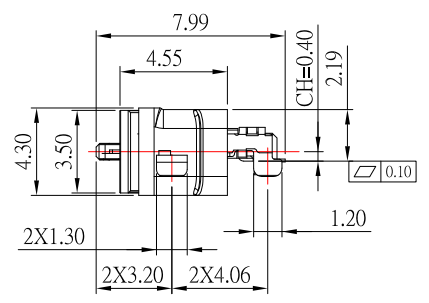
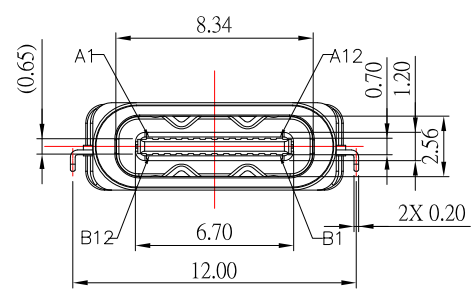
Blank : 1u"
2 : 15u"
3 : 30u"



RECOMMENDED P.C.B. LAYOUT

SPECIFICATIONS

- Electrical:**
- Rating: 5.0 A
 - Dielectric Withstand Voltage: 100V AC
 - Contact Resistance: 40 mΩ Max
 - Insulation Resistance: 100 MΩ Min
- Mechanical:**
- Connector Mate and Unmate Force
 - Mate force: 5~20 N
 - Unmate force: 8~20 N
- Material:**
- Housing: PA46
 - Contact: C18400
 - Shell: SUS
- Finish:**
- Contact: Plated Gold in Mating Area ;
Gold Plated on Solder Balls ;
Nickel under plated overall
 - Shell: Nickel under Plated surface layer



Pin:

A1	A2	A3	A4	A5	A6	A7	A8	A9	A10	A11	A12
GND	TX1+	TX1-	Vbus	CC1	D+	D-	SBU1	Vbus	RX2-	RX2+	GND
GND	RX1+	RX1-	Vbus	SBU2	D-	D+	CC2	Vbus	TX2-	TX2+	GND
B12	B11	B10	B9	B8	B7	B6	B5	B4	B3	B2	B1



TOLERANCE UNLESS OTHERWISE STATED:

Up to 5	±0.2
Above 5 ~ 15	±0.3
Above 15 ~ 30	±0.4
Above 30 ~ 50	±0.5
Angle	±0.3°

3RD. ANGEL'S

DRAWN BY:	DATE	MAT'L	TITLE	CONNECTOR
Jack Lu	09/01/23		MODLE	USB4 防水型 GEN 2 20G TYPE CF Mid Mount CH0.4mm
CHECKED BY:	DATE	FINISH	SCALE	1 : 1
Jacky Chen	09/01/23		DWG NO.	SBC-WP240M7-43x-S410
APPROVED BY:	DATE	SHEET NO.	PART NO.	SBC-WP240M7-43x-S410
Tony Kao	09/01/23	1 of 1	SIZE	A4
			VER	R

ITEM NO.	DESCRIPTION	DRAWN	DATE