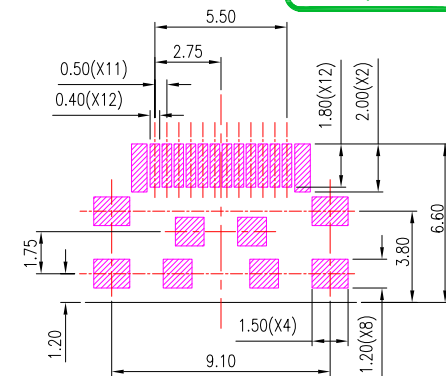
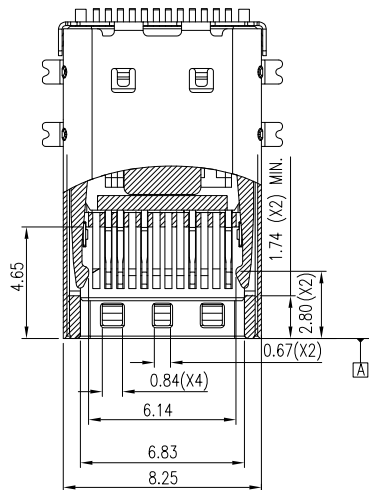
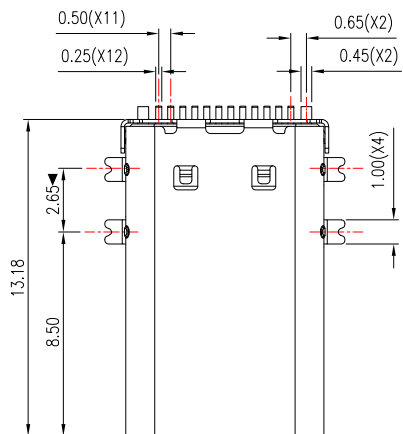




SBC-121PL-20x-S338

鍍層厚度:

Blank : 1u"
2 : 15u"
3 : 30u"



P.C.B LAYOUT

SPECIFICATIONS

Electrical:

1. Rating: 3.0A
2. Dielectric Withstand Voltage: 100V AC
3. Contact Resistance: 40 mΩ Max
4. Insulation Resistance: 100 MΩ Min

Mechanical:

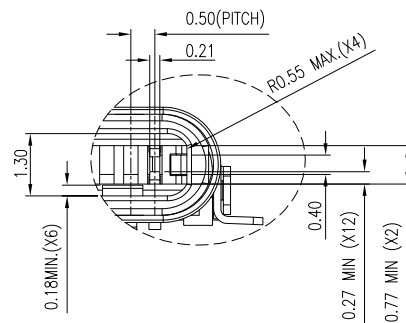
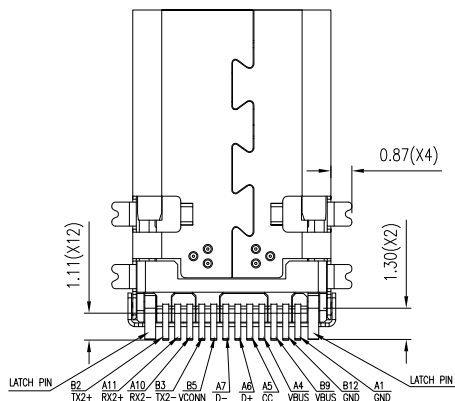
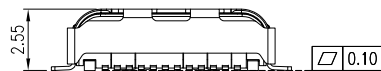
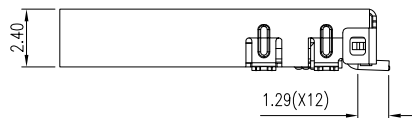
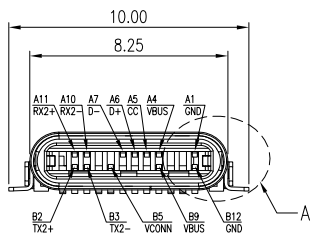
1. Connector Mate and Unmate Force
 - 1.1 Mate force: 5~20 N
 - 1.2 Unmate force: 8~20 N

Material:

1. Housing: LCP
2. Contact: C7025
3. Shell: SUS

Finish:

1. Contact: Plated Gold in Mating Area ;
Tin Plated on Solder Balls ;
Nickel under plated overall
2. Shell: Nickel under Plated surface layer



DETAIL A
SCALE: 2:1

CONTACT 建倚科技股份有限公司

CONTACT TECHNOLOGY CORP.

TOLERANCE UNLESS OTHERWISE STATED:
Up to 5 ±0.2
Above 5 ~ 15 ±0.3
Above 15 ~ 30 ±0.4
Above 30 ~ 50 ±0.5
Angle ±0.3°

3RD. ANGEL'S



UNITS MM

DRAWN BY:	DATE	MAT'L	TITLE	CONNECTOR
Jack Lu	12/20/23	FINISH	MODLE	USB TYPE C Male RA SMT TYPE
CHECKED BY:	DATE	SCALE	DWG NO.	SBC-121PL-20x-S338
Jacky Chen	12/20/23	1 : 1	PART NO.	SBC-121PL-20x-S338
APPROVED BY:	DATE	SHEET NO.	1 of 1	
Tony Kao	12/20/23			

1	更新圖面	Jack	122023
ITEM NO.	DESCRIPTION	DRAWN	DATE