

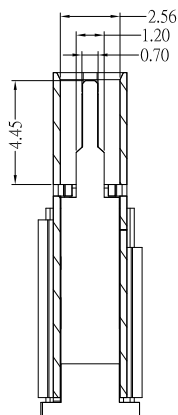
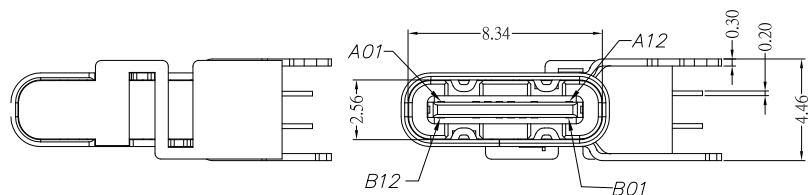


# SBC-140P3H-20x-S412

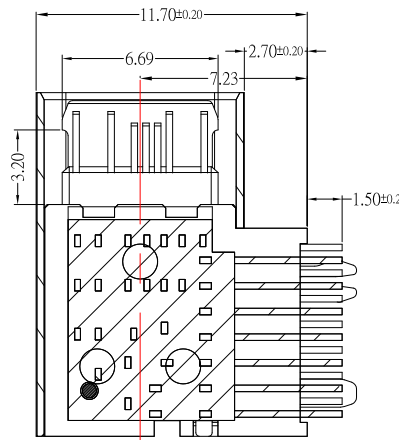
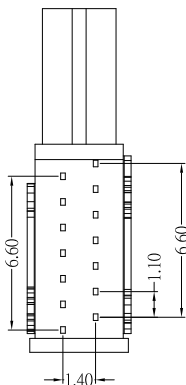
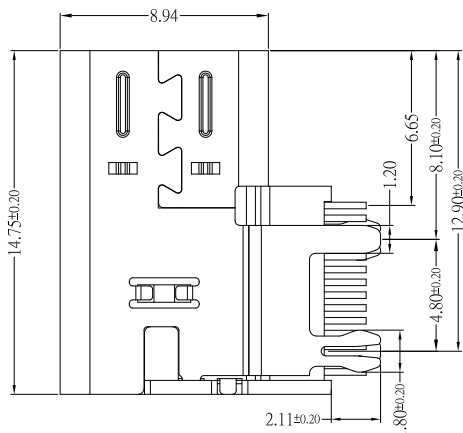
鍍層厚度：

Blank : 1u"
2 : 15u"
3 : 30u"

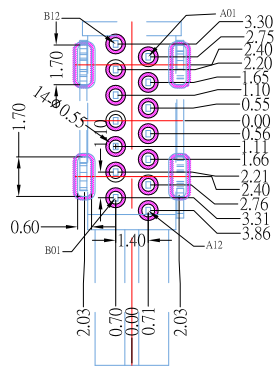
A1	GND	B12	GND
A4	VBUS	B9	VBUS
A5	CC1		
A6	DPI	B7	DN2
A7	DN1	B6	DP2
		B5	CC2
A9	VBUS	B4	VBUS
A12	GND	B1	GND
PIN	SIGNAL_NAME	PIN	SIGNAL_NAME



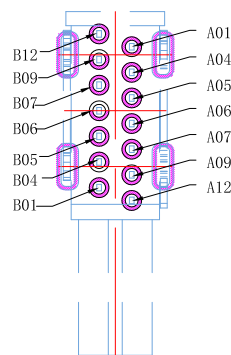
截面 2-2



截面 3-3



RECOMMENDED P.C.B. LAYOUT



## SPECIFICATIONS

### Electrical:

1. Rating: 5.0 A
2. Dielectric Withstand Voltage: 100V AC
3. Contact Resistance: 40 mΩ Max
4. Insulation Resistance: 100 MΩ Min

### Mechanical:

1. Connector Mate and Unmate Force
  - 1.1 Mate force: 5~20 N
  - 1.2 Unmate force: 8~20 N

### Material:

1. Housing: LCP
2. Contact: C1814
3. Shell: SUS

### Finish:

1. Contact: Plated Gold in Mating Area ;  
Gold Plated on Solder Balls ;  
Nickel under plated overall
2. Shell: Nickel under Plated surface layer

2	更新樣式	Jack	061722
1	新增尺寸	Jack	102521
ITEM NO.	DESCRIPTION	DRAWN	DATE

**CONTACT** 建倚科技股份有限公司  
**CONTACT TECHNOLOGY CORP.**

TOLERANCE UNLESS OTHERWISE STATED:  
 Up to 5 ±0.2  
 Above 5 ~ 15 ±0.3  
 Above 15 ~ 30 ±0.4  
 Above 30 ~ 50 ±0.5  
 Angle ±0.3°

3RD. ANGEL'S

UNITS MM

DRAWN BY:	DATE	MAT'L	TITLE	CONNECTOR
Jack Lu	06/17/22		MODLE	USB 3.1 側插母座 14 PIN 墊高2.7 高導電銅
CHECKED BY:	DATE	FINISH	SCALE	1 : 1
Jacky Chen	06/17/22		DWG NO.	SBC-140P3H-20x-S412
APPROVED BY:	DATE	SHEET NO.	PART NO.	SBC-140P3H-20x-S412
Tony Kao	06/17/22	1 of 1		
			SIZE	A4
			VER	R2