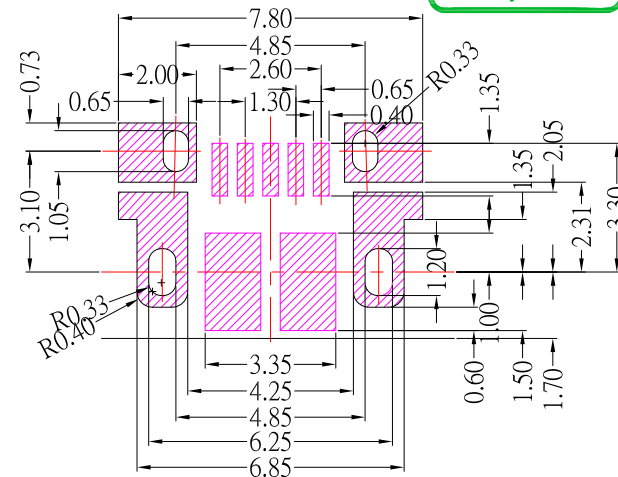
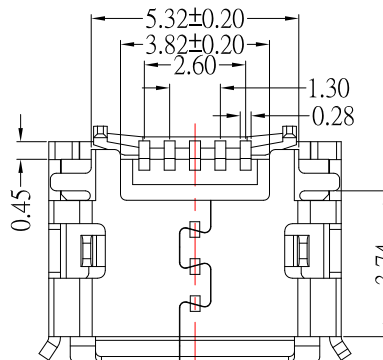
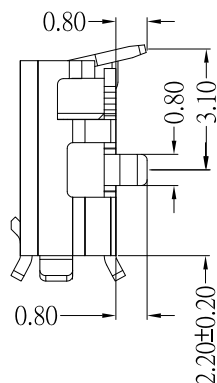
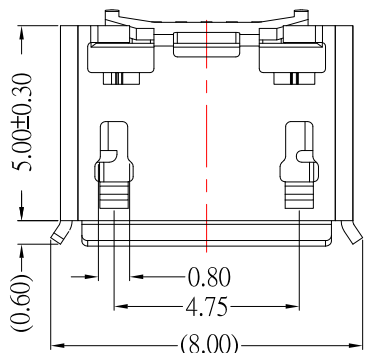
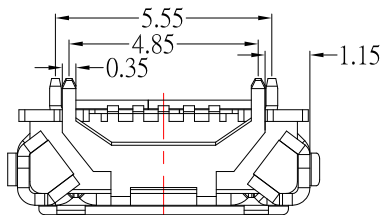




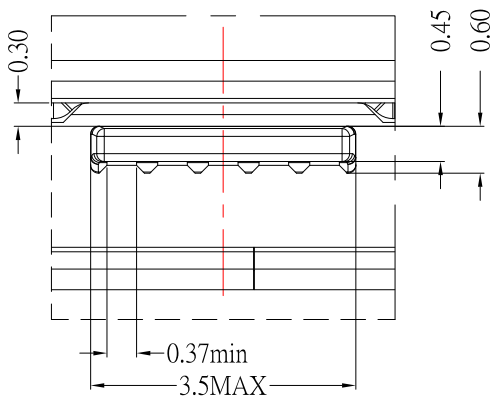
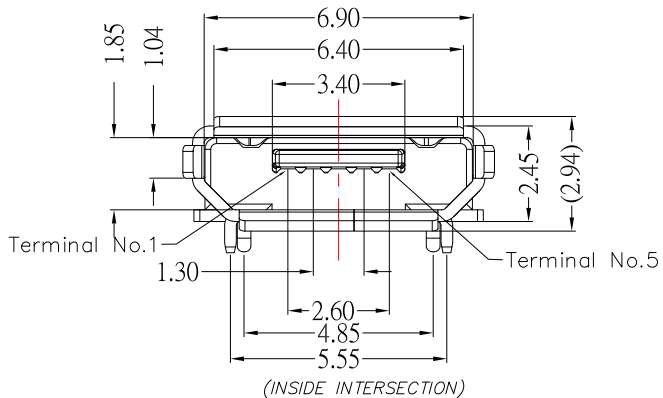
MRUSB-5B-D13xx-S347

Shell Material : SHELL 鍍層:

| | |
|---------------|----|
| Blank : BRASS | TN |
| A : SUS | NI |



P.C.B LAYOUT MOUNTING PATTERN



CONTACT AREA DETAIL VIEW

NOTES:

- MATERIAL:
 - HOUSING: LCP
 - CONTACT: PHOSPHOR BRONZE
 - SHELL: BRASS / SUS
- Finish:
 - Contact: Plated Gold in Mating Area ;
Gold Plated on Solder Balls ;
Nickel under plated overall
 - SHELL: NICKEL or TIN UNDER PLATED SURFACE LAYER
- SPECIFICATION:
 - CURRENT RATING: 1.0 A Max
 - DIELECTRIC WITHSTANDING VOLTAGE: 100 V(ac) FOR 1min
 - CONTACT RESISTANCE: 30 mΩ MAX.
 - INSULATION RESISTANCE: 100 MΩ MIN.
 - TOTAL MATING FORCE: 3.57 Kgf MAX.
 - TOTAL UNMATING FORCE: 1.0 Kgf MIN.
 - TEMPERATURE RANGE: -30°C ~ +80°C

CONTACT 建倚科技股份有限公司
CONTACT TECHNOLOGY CORP.

TOLERANCE UNLESS OTHERWISE STATED:
 Up to 5 ±0.2
 Above 5 ~ 15 ±0.3
 Above 15 ~ 30 ±0.4
 Above 30 ~ 50 ±0.5
 Angle ±0.3

3RD. ANGEL'S



UNITS MM

DRAWN BY: Jack Lu
 CHECKED BY: Jacky Chen
 APPROVED BY: Tony Kao

DATE: 10/07/21
 DATE: 10/07/21
 DATE: 10/07/21

| | | | |
|-----------|--------|----------|--|
| MAT'L | | TITLE | CONNECTOR |
| FINISH | | MODLE | MICRO USB 5P SMT 牛角型斜後蓋 PH:5.5-4.85mm |
| SCALE | 1 : 1 | DWG NO. | MRUSB-5B-D13xx-S347 |
| SHEET NO. | 1 of 1 | PART NO. | MRUSB-5B-D13xx-S347 |
| | | SIZE | A4 |
| | | VER | R3 |

| ITEM NO. | DESCRIPTION | DRAWN | DATE |
|----------|-------------|-------|--------|
| 3 | 更新樣式 | Jack | 100721 |
| 2 | 新增外殼材質選項 | Jack | 010918 |
| 1 | 更新為A0版 | Jack | 102616 |