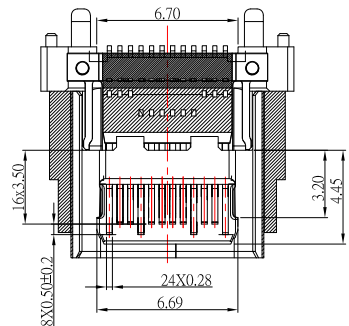
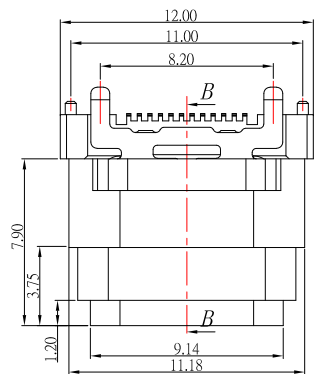


SBC-WP240VS6-31x-S410

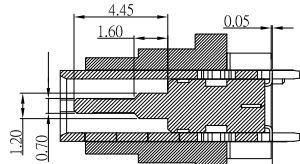
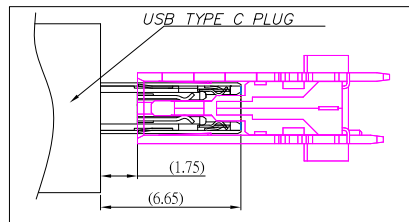


鍍層厚度：

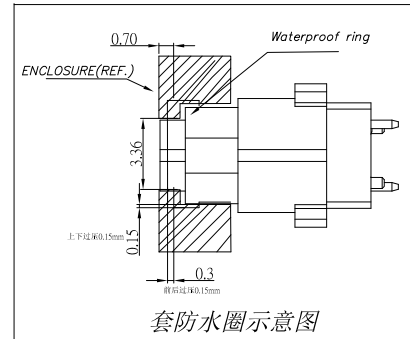
- Blank : 1u"
- 2 : 15u"
- 3 : 30u"



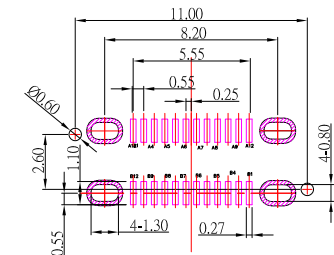
SECTION A-A



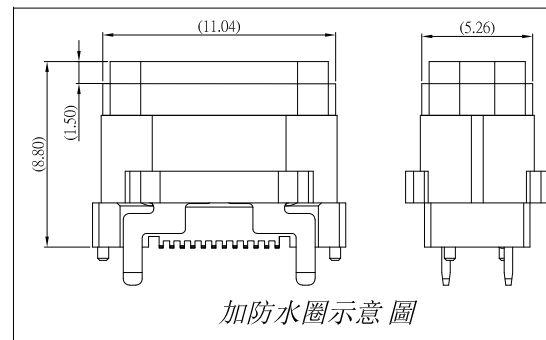
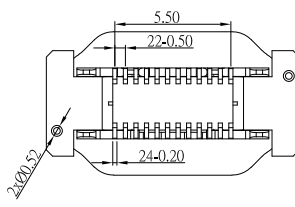
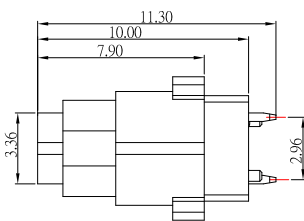
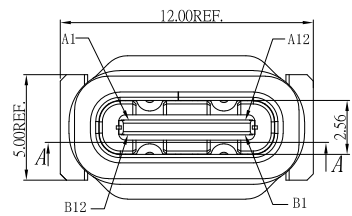
SECTION B-B



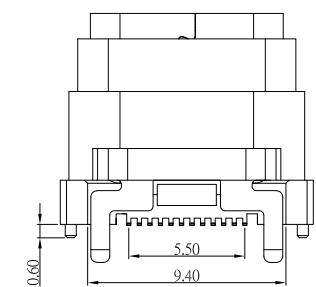
套防水圈示意图



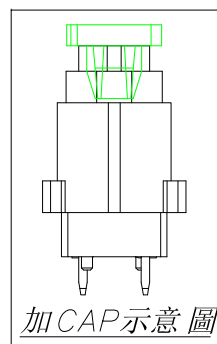
PCB LAYOUT



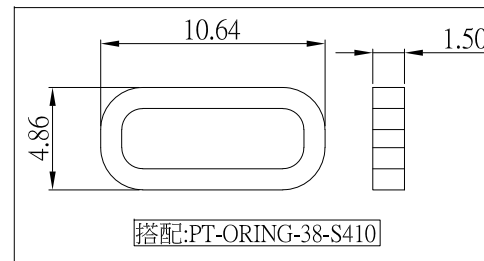
加防水圈示意图



Pin	Signal Name	Description	Pin	Signal Name	Description
A1	GND	Ground return	B12	GND	Ground return
A2	SS75a	Positive half of first SuperSpeed TX differential pair	B11	SS80a	Negative half of first SuperSpeed TX differential pair
A3	SS75b	Negative half of first SuperSpeed TX differential pair	B10	SS80b	Positive half of first SuperSpeed TX differential pair
A4	Yes	Bus Power	B9	Yes	Bus Power
A5	CC1	Configuration Channel	B8	SR2	Sideband Use (SR)
A6	Dp1	Positive half of the USB 2.0 differential pair-Position 1	B7	Dn2	Negative half of the USB 2.0 differential pair-Position 2
A7	Dn1	Negative half of the USB 2.0 differential pair-Position 1	B6	Dp2	Positive half of the USB 2.0 differential pair-Position 2
A8	SR1	Sideband Use (SR)	B5	CC2	Configuration Channel
A9	Yes	Bus Power	B4	Yes	Bus Power
A10	SS80a	Negative half of second SuperSpeed TX differential pair	B3	SS75a	Positive half of second SuperSpeed TX differential pair
A11	SS80b	Positive half of second SuperSpeed TX differential pair	B2	SS75b	Negative half of second SuperSpeed TX differential pair
A12	GND	Ground return	B1	GND	Ground return



加CAP示意图



搭配:PT-ORING-38-S410

SPECIFICATIONS

Electrical:

- 1.Rating: 5.0 A
- 2.Contact Resistance: 40 mΩ Max
- 3.Insulation Resistance: 100 MΩ Min
- 4.Dielectric Withstanding: 100V AC
- 5.Operating Temperature: -40°C ~ 85°C

Mechanical:

- 1.Connector Mate and Unmate Force
 - 1.1 Mate force: 5~20 N
 - 1.2 Unmate force: 8~20 N

Material:

- 1.Housing: LCP,Black
- 2.Contact: C7025
- 3.Shell: SUS

Finish:

- 1.Contact: Plated Gold in Mating Area ;
Tin Plated on Solder Balls ;
Nickel under plated overall
- 2.Shell: Nickel under Plated surface layer

CONTACT 建倚科技股份有限公司
CONTACT TECHNOLOGY CORP.

TOLERANCE UNLESS OTHERWISE STATED :
Up to 5 ±0.2
Above 5 ~ 15 ±0.3
Above 15 ~ 30 ±0.4
Above 30 ~ 50 ±0.5

3RD. ANGEL'S



UNITS MM

DRAWN BY:	DATE	MAT'L	TITLE	CONNECTOR
Jack Lu	08/26/24	FINISH	MODLE	USB C TYPE 180 度 SMT 2.0 Female H10.0防水型
CHECKED BY:	DATE	SCALE	DWG NO.	SBC-WP240VS6-31x-S410
Jacky Chen	08/26/24	1 : 1	PART NO.	SBC-WP240VS6-31x-S410
APPROVED BY:	DATE	SHEET NO.	1 of 2	
Tony Kao	08/26/24			

3	更新尺寸位置	Jack	082624
2	更新圖面	Jack	062724
1	新增SPEC項目	Jack	051724
ITEM NO.	DESCRIPTION	DRAWN	DATE