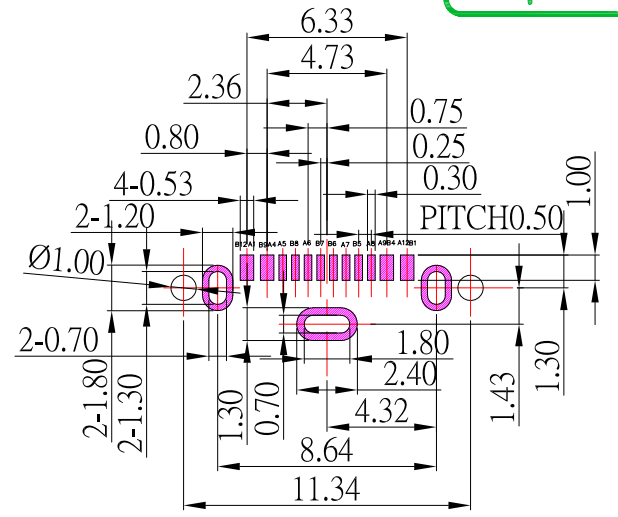
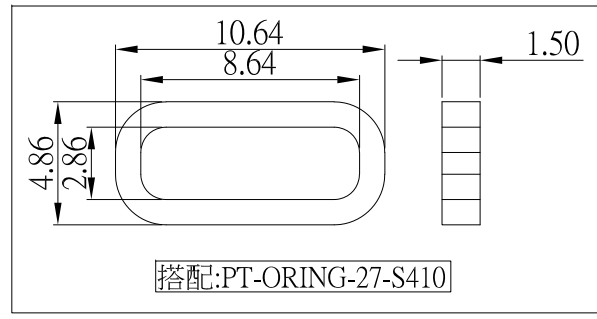
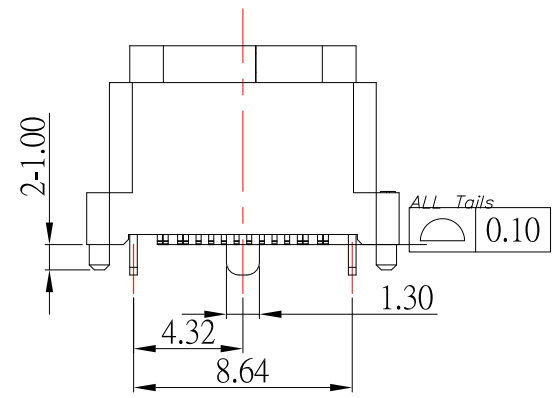
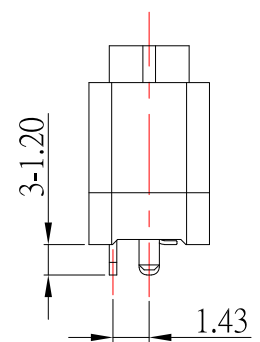
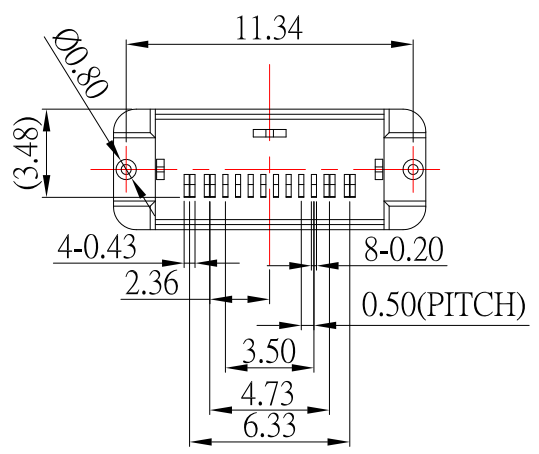
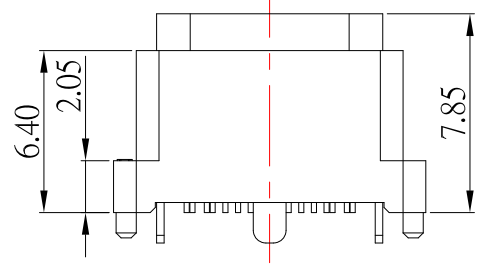
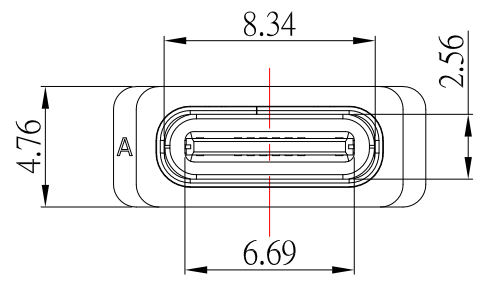


IP67



SBC-WP160VS5-20x-S410

鍍層厚度：
Blank : 1u"
2 : 15u"
3 : 30u"



RECOMMENDED PCB LAYOUT (TOP VIEW)

SPECIFICATIONS

Electrical:

- 1. Rating: 3.0 A
- 2. Contact Resistance: 40 mΩ Max
- 3. Insulation Resistance: 100 MΩ Min

Mechanical:

- 1. Connector Mate and Unmate Force
 - 1.1 Mate force: 5~20 N
 - 1.2 Unmate force: 8~20 N

Material:

- 1. Housing: PA10T
- 2. Contact: C7025
- 3. Shell: SUS

Finish:

- 1. Contact: Plated Gold in Mating Area ;
Gold Plated on Solder Balls ;
Nickel under plated overall
- 2. Shell: Nickel under Plated surface layer

A1	GND	B12	GND
A4	VBUS	B9	VBUS
A5	CC1	B8	SBU2
A6	DP1	B7	DN2
A7	DN1	B6	DP2
A8	SBU1	B5	CC2
A9	VBUS	B4	VBUS
A12	GND	B1	GND
PIN	SIGNAL NAME	PIN	SIGNAL NAME

CONTACT 建倚科技股份有限公司
CONTACT TECHNOLOGY CORP.

TOLERANCE UNLESS OTHERWISE STATED :
Up to 5 ±0.2
Above 5 ~ 15 ±0.3
Above 15 ~ 30 ±0.4
Above 30 ~ 50 ±0.5

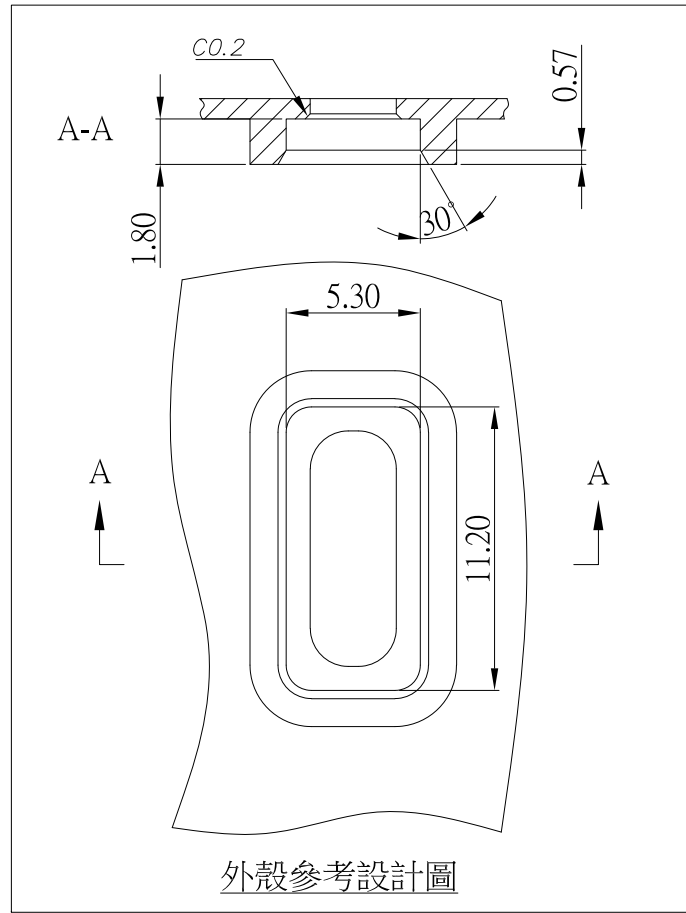
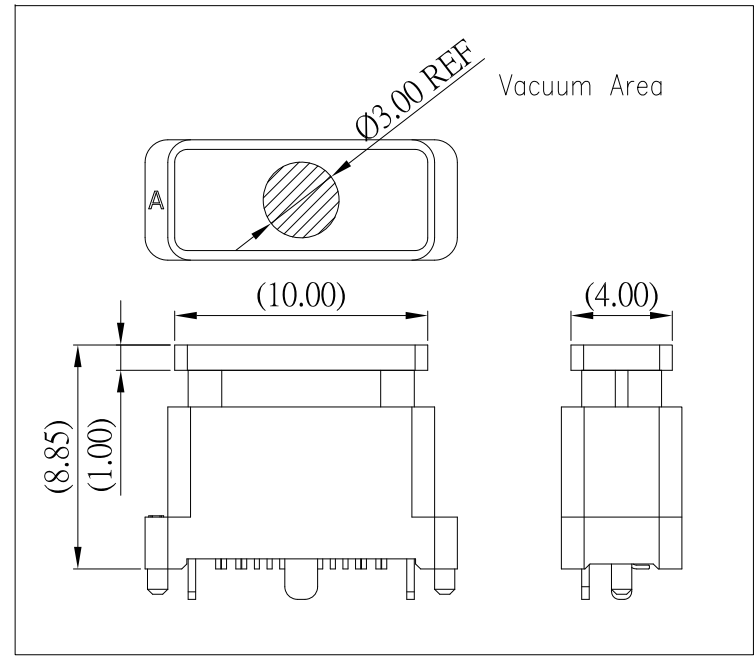
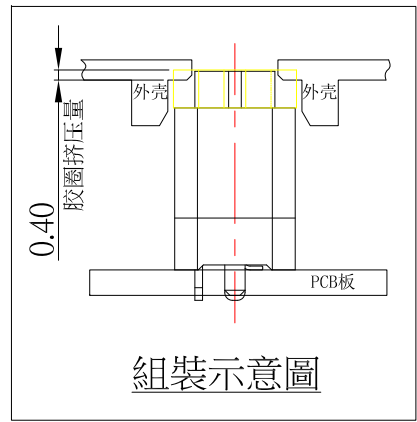
3RD. ANGEL'S

UNITS MM

DRAWN BY:	DATE	MATL	TITLE	CONNECTOR
Jack Lu	09/11/25	FINISH	MODLE	USB C TYPE 180度 SMT 2.0 Female H7.85防水型
CHECKED BY:	DATE	SCALE	DWG NO.	SBC-WP160VS5-20x-S410
Jacky Chen	09/11/25	1 : 1	PART NO.	SBC-WP160VS5-20x-S410
APPROVED BY:	DATE	SHEET NO.	1 of 2	
Tony Kao	09/11/25			

1	新增尺寸	Jack	091125
ITEM NO.	DESCRIPTION	DRAWN	DATE

IP67



1	新增尺寸	Jack	091125
ITEM NO.	DESCRIPTION	DRAWN	DATE

CONTACT 建倚科技股份有限公司
CONTACT TECHNOLOGY CORP.

TOLERANCE UNLESS OTHERWISE STATED :
 Up to 5 ±0.2
 Above 5 ~ 15 ±0.3
 Above 15 ~ 30 ±0.4
 Above 30 ~ 50 ±0.5

3RD. ANGEL'S

UNITS MM

DRAWN BY:	DATE	MATL	TITLE	CONNECTOR
Jack Lu	09/11/25			
CHECKED BY:	DATE	FINISH	MODLE	USB C TYPE 180度 SMT 2.0 Female H7.85防水型
Jacky Chen	09/11/25			
APPROVED BY:	DATE	SCALE	DWG NO.	SBC-WP160VS5-20x-S410
Tony Kao	09/11/25	1 : 1		
		SHEET NO.	PART NO.	SBC-WP160VS5-20x-S410
		1 of 2		