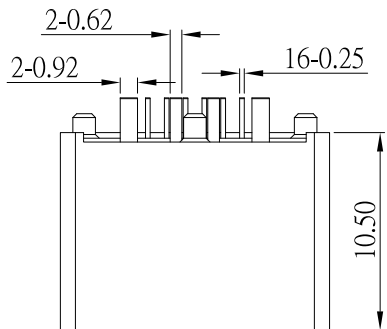




# CMB-UCUAx-V-S412

HOUSING COLOR :

White : W
Black : B

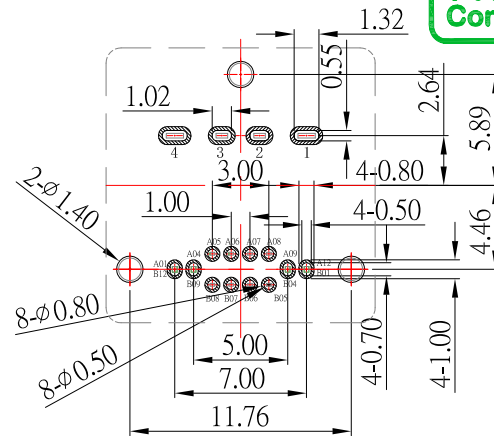


Type c pin Def:

A1	GND	B12	GND
A4	VBUS	B9	VBUS
A5	CC1	B8	SBU2
A6	D+	B7	D-
A7	D-	B6	D+
A8	SBU1	B5	CC2
A9	VBUS	B4	VBUS
A12	GND	B1	GND

USB 2.0 pin Def:

1	VBUS	A7	D-	B6	D+
2	D-	A8	SBU1	B5	CC2
3	D+	A9	VBUS	B4	VBUS
4	GND	A12	GND	B1	GND
PIN	SIGNAL NAME	PIN	SIGNAL NAME	PIN	SIGNAL NAME



## RECOMMENDED P.C.B. LAYOUT

### SPECIFICATIONS

#### Electrical:

1. Rating: 3.0A
2. Dielectric Withstand Voltage: 150V AC
3. Contact Resistance: 30 mΩ Max
4. Insulation Resistance: 100 MΩ Min

#### Mechanical:

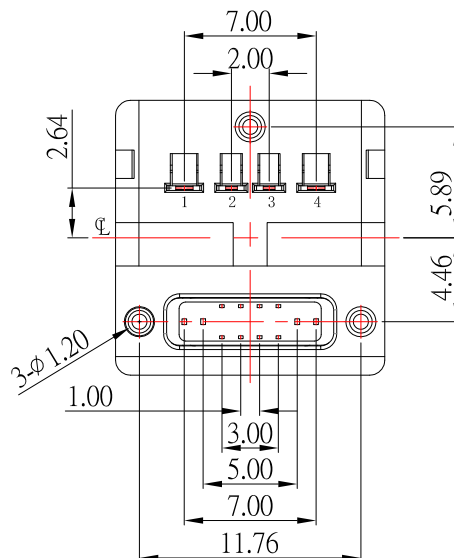
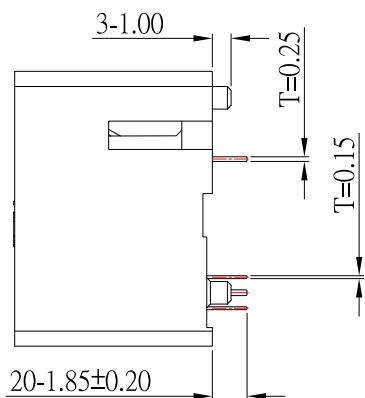
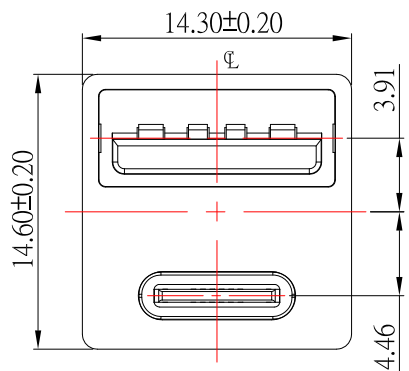
1. Connector Mate and Unmate Force
  - 1.1 Mate force: 5~20 N
  - 1.2 Unmate force: 8~20 N

#### Material:

1. Housing: LCP
2. Contact: C7025
3. Shell: Brass

#### Finish:

1. Contact: Plated Gold in Mating Area ;  
Tin Plated on Solder Balls ;  
Nickel under plated overall
2. Shell: Nickel under Plated surface layer



**CONTACT** 建倚科技股份有限公司  
**CONTACT TECHNOLOGY CORP.**

TOLERANCE UNLESS OTHERWISE STATED:  
Up to 5 ±0.2  
Above 5 ~ 15 ±0.3  
Above 15 ~ 30 ±0.4  
Above 30 ~ 50 ±0.5  
Angle ±0.3°

3RD. ANGEL'S



UNITS MM

DRAWN BY: Jack Lu  
DATE: 06/29/23  
CHECKED BY: Jacky Chen  
DATE: 06/29/23  
APPROVED BY: Tony Kao  
DATE: 06/29/23

MAT'L		TITLE	Combo Connector
FINISH		MODLE	USB TYPE C 16P+ USB 2.0 二合一母座 H10.5
SCALE	1 : 1	DWG NO.	CMB-UCUAx-V-S412
SHEET NO.	1 of 1	PART NO.	CMB-UCUAx-V-S412
		SIZE	A4
		VER	R

ITEM NO.	DESCRIPTION	DRAWN	DATE