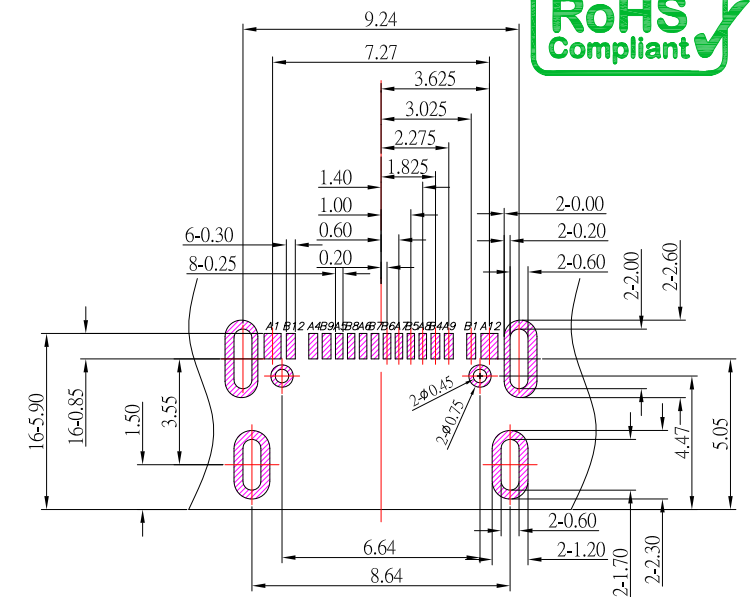




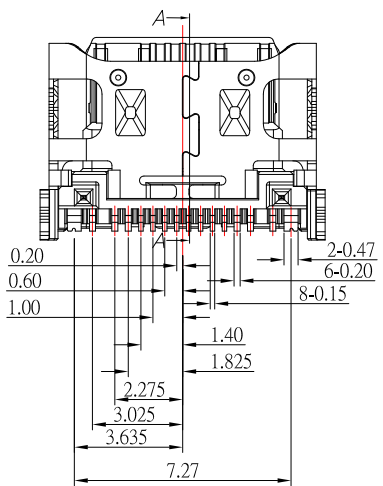
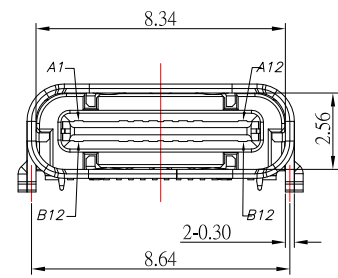
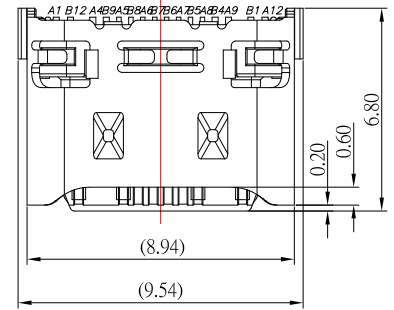
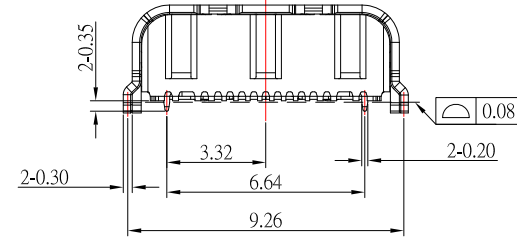
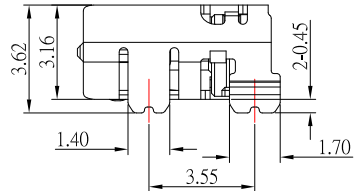
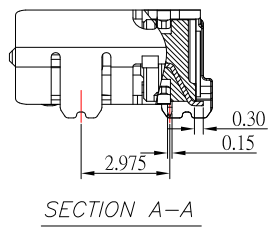
SBC-160S15-20x-S165

鍍層厚度:

Blank : 1u"
2 : 15u"
3 : 30u"



P.C.B LAYOUT MOUNTING PATTERN



PIN ASSIGNMENT												BLADE	SHELL
A1	A2	A3	A4	A5	A6	A7	A8	A9	A10	A11	A12		
GND	TX1*	TX1*	VBUS	CC1	D+	D-	SBU1	VBUS	RX2*	RX2*	GND	GND	GND
B12	B1*	B1*	B9	B8	B7	B6	B5	B4	B3	B2	B1		

SPECIFICATIONS

Electrical:

- 1.Rating: 5.0A
- 2.Contact Resistance: 30 mΩ Max
- 3.Insulation Resistance: 100 MΩ Min
- 4.Dielectric Withstanding Voltage: 100V AC

Material:

- 1.Housing: PA46
 - 2.Contact: C7025
 - 3.Shell: SUS
- Finish:
- 1.Contact: Plated Gold in Mating Area ;
Gold Plated on Solder Balls ;
Nickel under plated overall
 - 2.Shell: Nickel under Plated surface layer

CONTACT 建倚科技股份有限公司
CONTACT TECHNOLOGY CORP.

TOLERANCE UNLESS OTHERWISE STATED:
Up to 5 ±0.2
Above 5 ~ 15 ±0.3
Above 15 ~ 30 ±0.4
Above 30 ~ 50 ±0.5
Angle ±0.3

3RD. ANGEL'S

UNITS MM

DRAWN BY:	DATE	MAT'L	TITLE	CONNECTOR
Jack Lu	07/05/23			
CHECKED BY:	DATE	FINISH	MODLE	USB C TYPE 2.0 Female DIP 16PIN 單排 L6.80mm
Jacky Chen	07/05/23			
APPROVED BY:	DATE	SCALE	DWG NO.	SBC-160S15-20x-S165
Tony Kao	07/05/23	1 : 1	PART NO.	SBC-160S15-20x-S165
		SHEET NO.	1 of 1	

ITEM NO.	DESCRIPTION	DRAWN	DATE