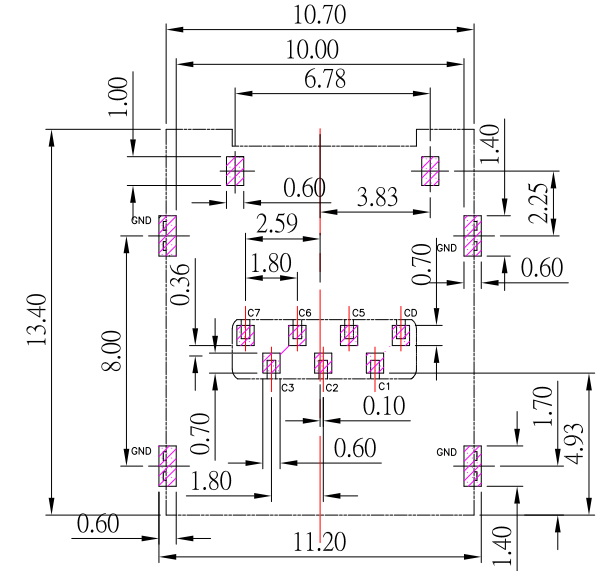
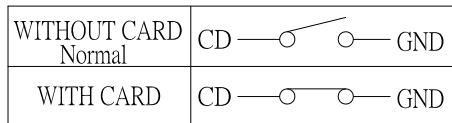


PIN No.	DESCRIPTION
C 1	VCC (SUPPLY VOLTAGE)
C 2	RST (RESET SIGNAL)
C 3	CLK (CLOCK SIGNAL)
C 5	GND
C 6	VPP (VARIABLE SUPPLY VLOTAGE)
C 7	I/O (DATA INPUT/OUTPUT)



P.C.B LAYOUT MOUNTING PATTERN

Circuit Diagram For Switch



MATERIALS:

1. HOUSING : LCP
2. CONTACT : PHOSPHOR BRONZE
3. SHELL : SUS

Finish:

1. Finish: CONTACT: PLATED GOLD IN MATING AREA ;
GOLD PLATED ON SOLDER BALLS ;
NICKEL UNDER PLATED OVERALL
2. SHELL: NICKEL UNDER PLATED SURFACE LAYER

SPECIFICATION:

1. CURRENT RATING : 0.5 mA AC / DC MAX.
2. VOLTAGE RATING : 5.0V AC / DC
3. INSULATION RESISTANCE : 100MΩ MIN.
4. CONTACT RESISTANCE : 80mΩ MAX.
5. OPERATING TEMPERATURE RANGE : -25°C TO +85°C.
6. STORAGE TEMPERATURE RANGE : -25°C TO +85°C.

CONTACT 建倚科技股份有限公司
CONTACT TECHNOLOGY CORP.

TOLERANCE UNLESS OTHERWISE STATED:
Up to 5 ±0.2
Above 5 ~ 15 ±0.3
Above 15 ~ 30 ±0.4
Above 30 ~ 50 ±0.5
Angle ±0.3

3RD. ANGEL'S



UNITS MM

DRAWN BY: Jack Lu 07/27/23
CHECKED BY: Jacky Chen 07/27/23
APPROVED BY: Tony Kao 07/27/23

MAT'L	TITLE	CONNECTOR
FINISH	MODLE	NANO SIM 7P 掀蓋1.40H
SCALE 1 : 1	DWG NO.	NSIM-0311G07A-S267
SHEET NO. 1 of 1	PART NO.	NSIM-0311G07A-S267
	SIZE	A4
	VER	R1

ITEM NO.	DESCRIPTION	DRAWN	DATE
1	新增半整度標示	Jack	072723