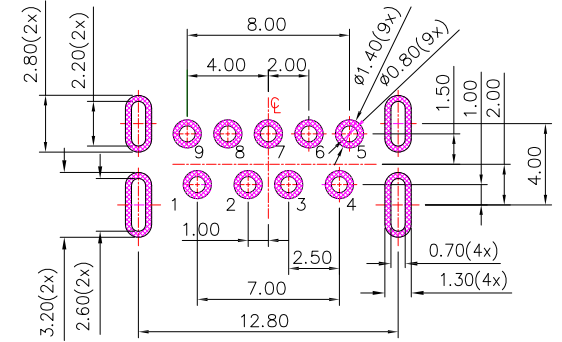
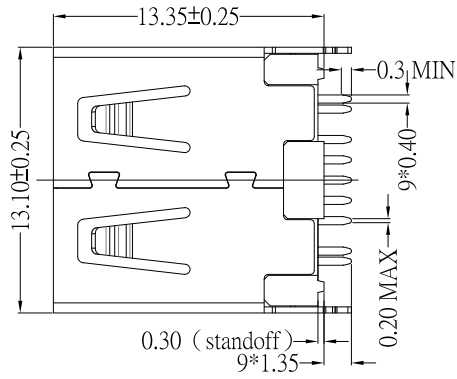




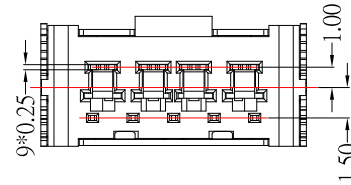
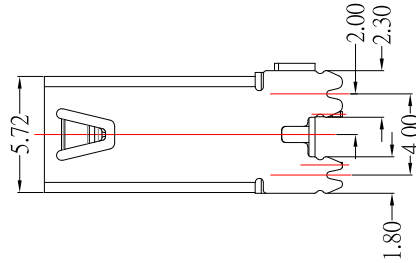
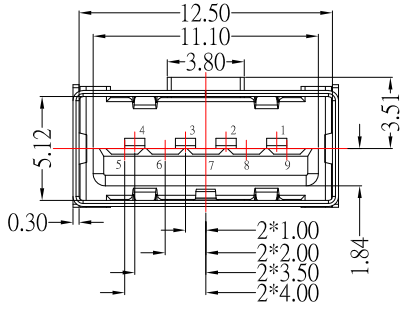
SUA-110V6-32x-S277

鍍層厚度:

Blank	: 1u"
2	: 15u"
3	: 30u"



P.C.B LAYOUT MOUNTING PATTERN



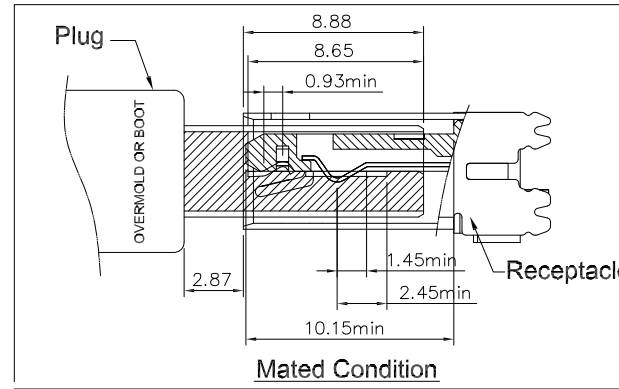
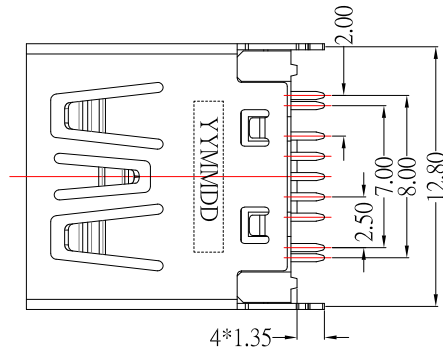
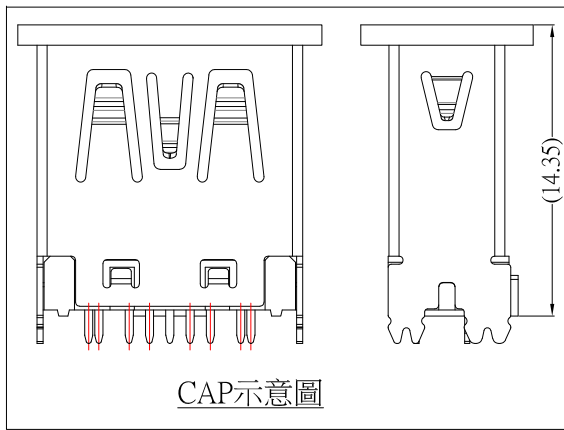
Contact Number	Signal Name
PIN1	VBUS
PIN2	D-
PIN3	D+
PIN4	GND
PIN5	StdA_SSRX-
PIN6	StdA_SSRX+
PIN7	GND_DRAIN
PIN8	StdA_SSTX-
PIN9	StdA_SSTX+
Shell	Shield

1.MATERIAL:

- 1.1 HOUSING: LCP
- 1.2 CONTACT: PHOSPHOR BRONZE(4 PIN)
BRASS(5 PIN)
- 1.3 SHELL: SUS

2.PLATING :

- 2.1 CONTACT : Plated Gold in Mating Area ;
Tin Plated on Solder Balls ;
Nickel under plated overall
- 2.2 SHELL: Nickel under Plated surface layer



ITEM NO.	DESCRIPTION	DRAWN	DATE
1	更新CONTACT材質	Jack	050826

CONTACT 建倚科技股份有限公司
CONTACT TECHNOLOGY CORP.

TOLERANCE UNLESS OTHERWISE STATED :

Up to 5	±0.2
Above 5 ~ 15	±0.3
Above 15 ~ 30	±0.4
Above 30 ~ 50	±0.5
Angle	±0.3°

3RD. ANGEL'S

UNITS MM

DRAWN BY:	DATE	MATL	TITLE	CONNECTOR
Jack Lu	05/08/26		MODLE	USB A/F 180度 鱼叉脚 無捲邊H:13.35mm GEN 2
CHECKED BY:	DATE	FINISH	DWG NO.	SUA-110V6-32x-S277
Jacky Chen	05/08/26		PART NO.	SUA-110V6-32x-S277
APPROVED BY:	DATE	SCALE	1 : 1	
Tony Kao	05/08/26	SHEET NO.	1 of 1	