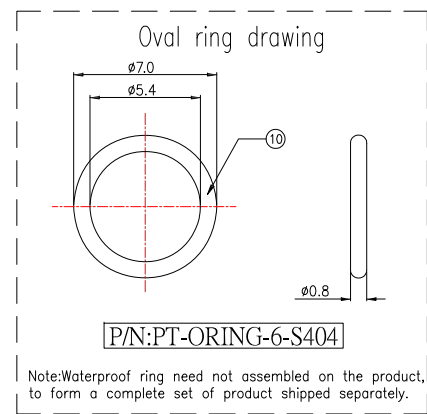
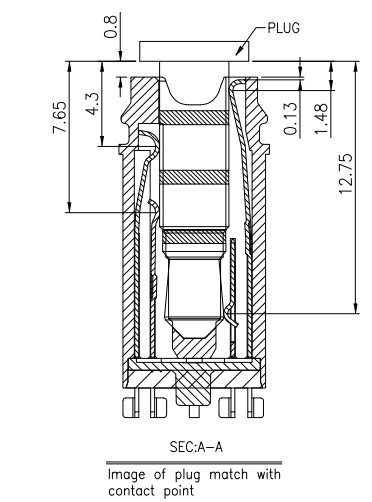
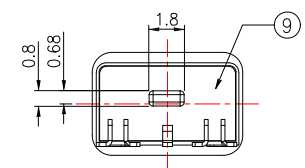
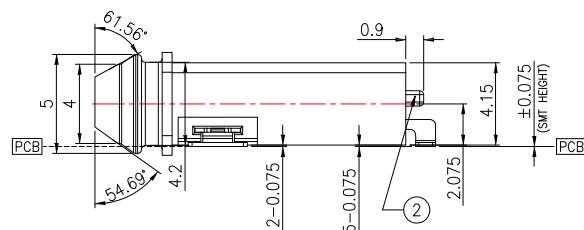


Recommended PCB Layout
(Top view)



SPECIFICATION

- Contact resistance : $\leq 30m\Omega$
- Insulation resistance : $\geq 100M\Omega$
- Withstand voltage : 500VAC
- Insertion and extraction force : 4-20N
- life test : 5,000 cycles
- Waterproof Level: IPx7

ITEM	PART NAME	TERMINAL	QTY	MATERIAL	REMARK
⑩	OVAL RING	----	1	SILICONE	
⑨	BOND	----	1		----
⑧	TERMINAL	----	2	C2680	Ti PLATED OVER Ni
⑦	TIP SPRING-2	⑤	1	Ti-Cu	Ni PLATED OVER Au
⑥	RING SPRING-2	④	1	Ti-Cu	Ni PLATED OVER Au
⑤	RING SPRING-1	③	1	Ti-Cu	Ni PLATED OVER Au
④	TIP SPRING-1	②	1	Ti-Cu	Ni PLATED OVER Au
③	EARTH SPRING	①	1	Ti-Cu	Ni PLATED OVER Au
②	COVER	----	1	PA9T	
①	HOUSING	----	1	PA9T	

CONTACT 建倚科技股份有限公司
CONTACT TECHNOLOGY CORP.

TOLERANCE UNLESS OTHERWISE STATED :
Up to 5 ±0.2
Above 5 ~ 15 ±0.3
Above 15 ~ 30 ±0.4
Above 30 ~ 50 ±0.5
Angle ±0.3

3RD. ANGEL'S

UNITS MM

DRAWN BY:	DATE	MAT'L	TITLE	JACK
Jack Lu	04/12/19	FINISH	MODLE	3.5mm PHONE JACK 防水型
CHECKED BY:	DATE	SCALE	DWG NO.	PJ-WP35408E-S404
Jacky Chen	04/12/19	SHEET NO.	PART NO.	PJ-WP35408E-S404
APPROVED BY:	DATE			SIZE A4
Tony Kao	04/12/19			VER R

ITEM NO.	DESCRIPTION	DRAWN	DATE