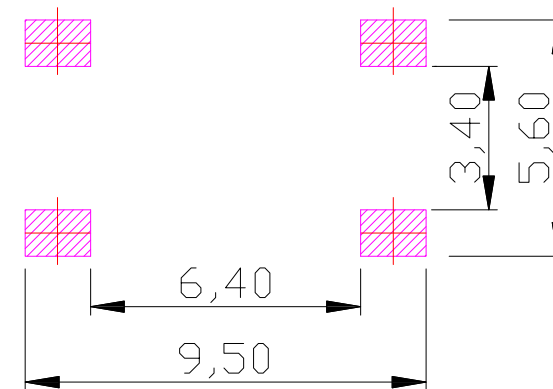
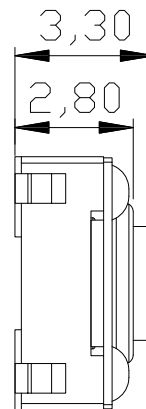
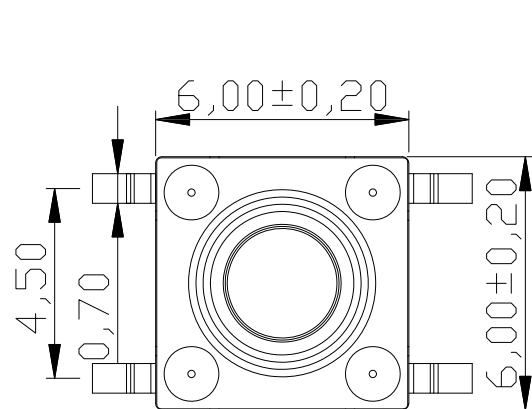


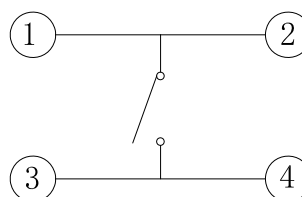
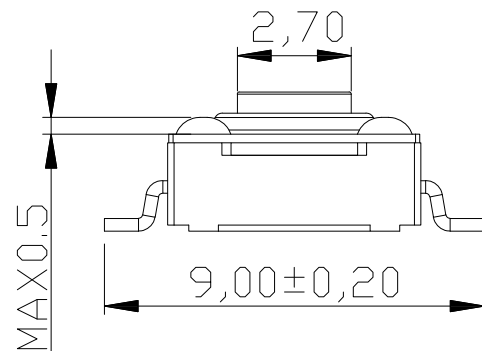
IP67



P.C.B MOUNTING PATTERN DIMENSION

SPECIFICATIONS

Rating	DC 12V 50mA Max.			
Contact Resistance	50mΩ Max.			
Travel	0.30 ± 0.10 mm			
Operating Force	2	160 ± 50gf	3	250 ± 50gf
Operating Life (cycles)	100,000			



CIRCUIT DIAGRAM

NO.	DESCRIPTION	QTY	MATERIAL	PLATING
F	TERMINAL	4	BRASS	Ag plated
E	BASE	1	PPA(BLACK)	
D	CONTACT	1	SUS	Ag plated
C	FILM	1	POLYAMIDE	
B	COVER	1	SUS	
A	STEM	1	PPA(BLACK)	

CONTACT 建倚科技股份有限公司
CONTACT TECHNOLOGY CORP.

TOLERANCE UNLESS OTHERWISE STATED:
 Up to 5 ±0.2
 Above 5 ~ 15 ±0.3
 Above 15 ~ 30 ±0.4
 Above 30 ~ 50 ±0.5
 Angle ±0.3

3RD. ANGEL'S



UNITS MM

DRAWN BY:	DATE	MAT'L	TITLE	SWITCH
Jack Lu	07/01/21	FINISH	MODLE	TACT SWITCH 6X6 SMT WATERPROOF TYPE
CHECKED BY:	DATE	SCALE	DWG NO.	TS-A67W-x-S428
Jacky Chen	07/01/21	SHEET NO.	PART NO.	TS-A67W-x-S428
APPROVED BY:	DATE			
Tony Kao	07/01/21			

ITEM NO.	DESCRIPTION	DRAWN	DATE