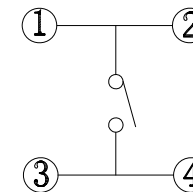
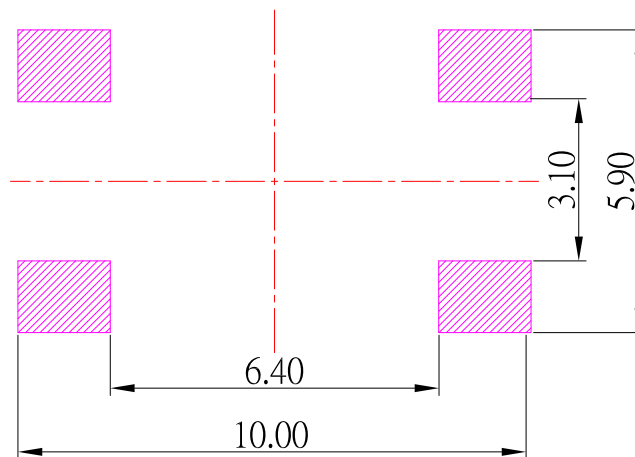
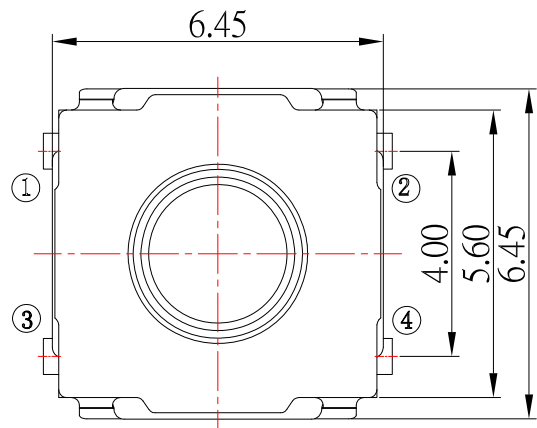




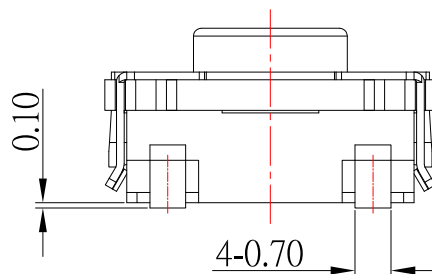
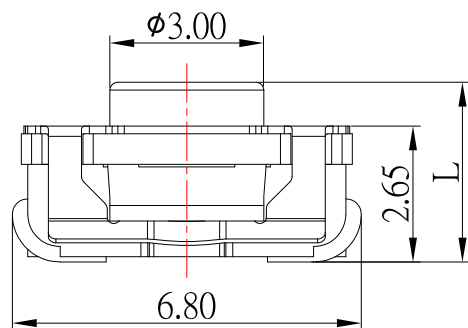
IP67



CIRCUIT DIAGRAM

PCB LAYOUT

MODEL NO.	TS-A58W	TS-A58WA
L (mm)	3.50	5.20



SPECIFICATIONS

Rating	DC 12V 50mA.
Insulation Resistance	100 MΩ Min.
Contact Resistance	100 mΩ Max.
Dielectric Withstanding Voltage	AC 250V(50Hz) 1 min
Operating Force	180 ± 50gf
Operating Life (cycles)	1,000,000

**CONTACT** 建倚科技股份有限公司  
CONTACT TECHNOLOGY CORP.

TOLERANCE UNLESS OTHERWISE STATED:  
Up to 5 ±0.2  
Above 5 ~ 15 ±0.3  
Above 15 ~ 30 ±0.4  
Above 30 ~ 50 ±0.5  
Angle ±0.3°

3RD. ANGEL'S



UNITS MM

DRAWN BY: Jack Lu  
CHECKED BY: Jacky Chen  
APPROVED BY: Tony Kao

DATE: 09/12/19  
DATE: 09/12/19  
DATE: 09/12/19

MAT'L		TITLE	SWITCH
FINISH		MODLE	ACT SWITCH WATERPROOF IP67
SCALE	1 : 1	DWG NO.	TS-A58Wx-2S-S048
SHEET NO.	1 of 1	PART NO.	TS-A58Wx-2S-S048
		SIZE	A4
		VER	R

ITEM NO.	DESCRIPTION	DRAWN	DATE