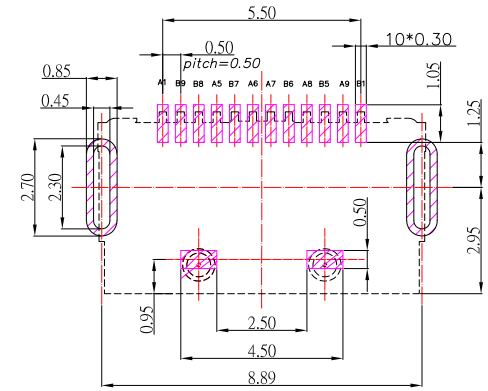


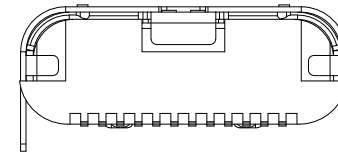
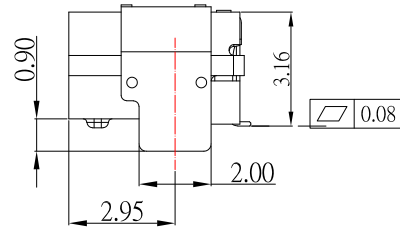
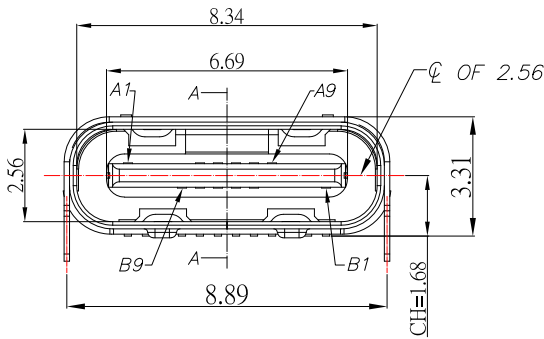
SBC-120S1-20x-S277

鍍層厚度:

Blank : 1u"
2 : 15u"
3 : 30u"



RECOMMENDED P.C.B. LAYOUT



SPECIFICATIONS

Electrical:

1. Rating: 20V , 3.0A

1. Dielectric Withstand Voltage: 100V AC

2. Contact Resistance: 40 mΩ Max

3. Insulation Resistance: 100 MΩ Min

Material:

1. Housing: LCP

2. Contact: C7025

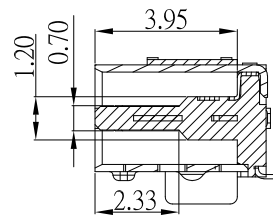
3. Shell: SUS

Finish:

- 1. Contact: Plated Gold in Mating Area ;
Gold Plated on Solder Balls ;
Nickel under plated overall
- 2. Shell: Nickel under Plated surface layer

USB TYPE-C PIN ASSIGNMENTS

PIN NUMBER	SIGNAL NAME	PIN NUMBER	SIGNAL NAME
A1	GND	B9	VBUS
A5	CC1	B8	SBU2
A6	DP1	B7	DN2
A7	DN1	B6	DP2
A8	SBU1	B5	CC2
A9	VBUS	B1	GND



SECTION A-A
SCALE 1:1

1	更新Rating	Jack	052824
ITEM NO.	DESCRIPTION	DRAWN	DATE

CONTACT 建倚科技股份有限公司
CONTACT TECHNOLOGY CORP.

TOLERANCE UNLESS OTHERWISE STATED :

Up to 5	±0.2	3RD. ANGEL'S	UNITS	MM
Above 5 ~ 15	±0.3			
Above 15 ~ 30	±0.4			
Above 30 ~ 50	±0.5			
Angle	±0.3			

DRAWN BY:	DATE	MATL	TITLE	CONNECTOR	
Jack Lu	05/28/24				
CHECKED BY:	DATE	FINISH	MODLE	USB TYPE C 2.0 板上型 SMT L 4.75 mm	
Jacky Chen	05/28/24				
APPROVED BY:	DATE	SCALE	DWG NO.	SBC-120S1-20x-S277	
Tony Kao	05/28/24				
		SHEET NO.	1 of 1	PART NO.	SBC-120S1-20x-S277