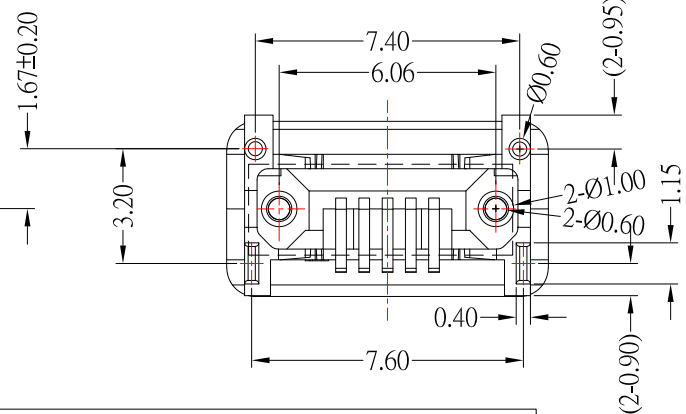
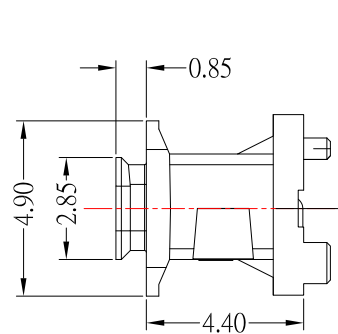
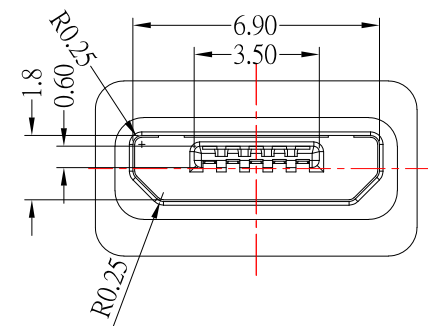
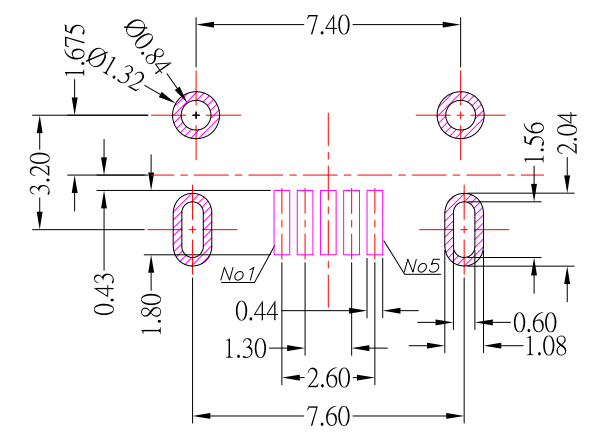
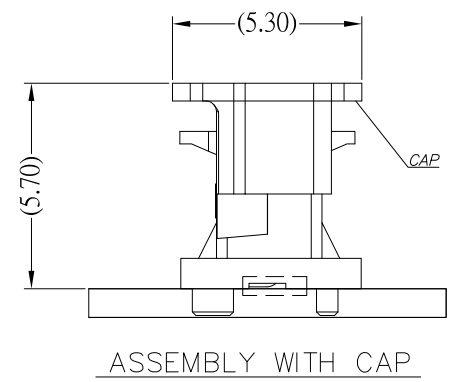
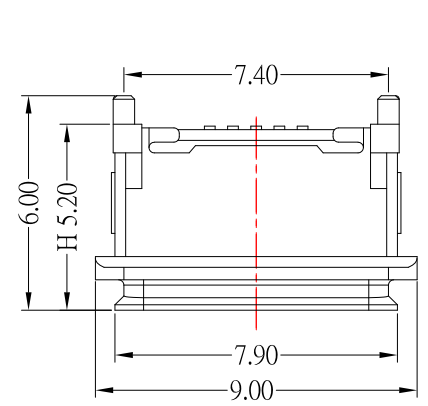




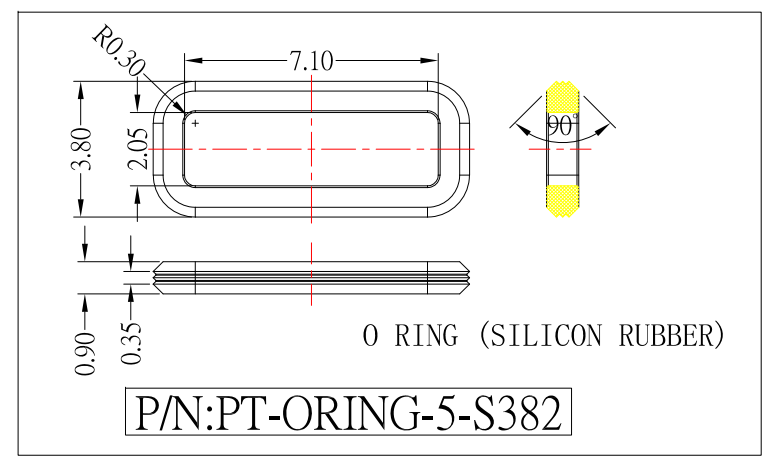
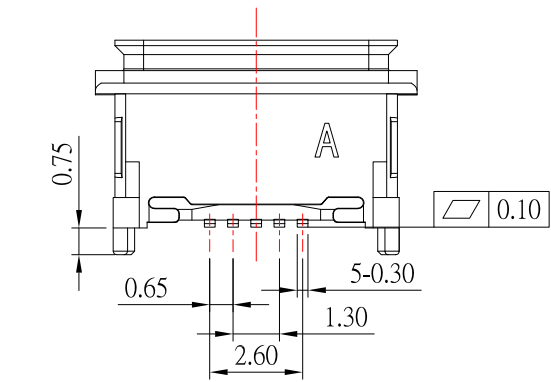
MRUSB-5B-WP9VB-x-S382

鍍層厚度:

Blank	: 1u"
2	: 15u"
3	: 30u"



- NOTES:
- MATERIAL:
- 1.1 HOUSING: LCP
 - 1.2 CONTACT: BRASS
 - 1.3 SHELL: SUS
- FINISH:
- 2.1 CONTACT: PLATED GOLD IN MATING AREA ;
GOLD PLATED ON SOLDER BALLS ;
NICKEL UNDER PLATED OVERALL
 - 2.2 SHELL: NICKEL UNDER PLATED SURFACE LAYER
- 3.SPECIFICATION:
- 3.1 RATING: 1.8 A(PIN1,5) ; 1.0A(PIN2,3,4) , 30VAC
 - 3.2 DIELECTRIC WITHSTANDING VOLTAGE: 100 VAC
 - 3.3 CONTACT RESISTANCE: 30 mΩ MAX.
 - 3.4 INSULATION RESISTANCE: 1000 MΩ MIN.



4	更新樣式	Jack	090425
3	新增平整度標示	Jack	052422
2	更新圖面	Jack	063021
1	更新MODLE	Jack	061721
ITEM NO.	DESCRIPTION	DRAWN	DATE

CONTACT 建倚科技股份有限公司
CONTACT TECHNOLOGY CORP.

TOLERANCE UNLESS OTHERWISE STATED:

Up to 5	±0.2
Above 5 ~ 15	±0.3
Above 15 ~ 30	±0.4
Above 30 ~ 50	±0.5
Angle	±0.3°

3RD. ANGEL'S

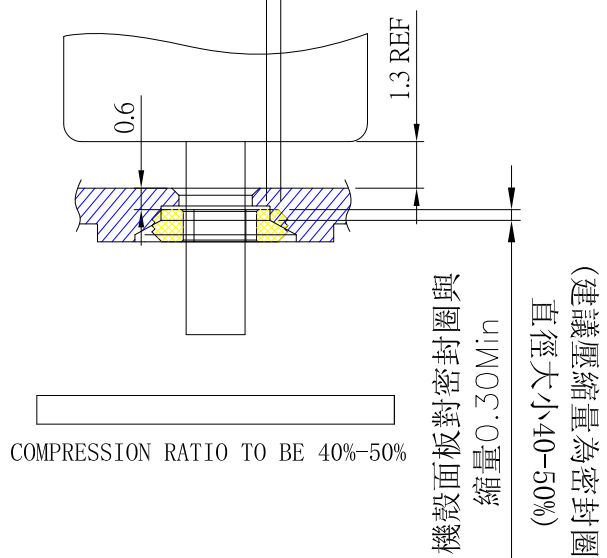
UNITS MM

DRAWN BY:	DATE	MAT'L	TITLE	CONNECTOR
Jack Lu	09/04/25	FINISH	MODLE	MICRO 5B/F 立式SMT IPX7 外殼腳:
CHECKED BY:	DATE	SCALE	DWG NO.	1.15X0.4X0.75mm 支架寬 5.0 mm
Jacky Chen	09/04/25	1 : 1	PART NO.	MRUSB-5B-WP9VB-x-S382
APPROVED BY:	DATE	SHEET NO.		
Tony Kao	09/04/25	1 of 2		

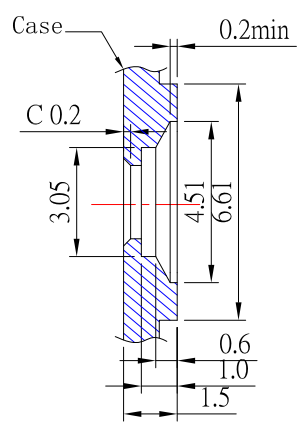
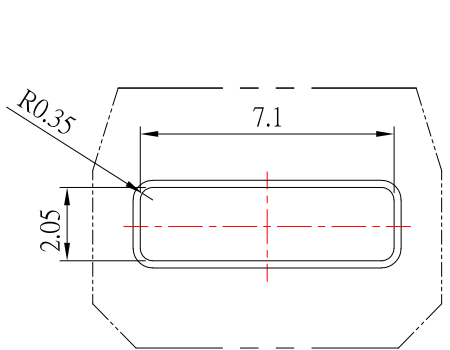
IPX7



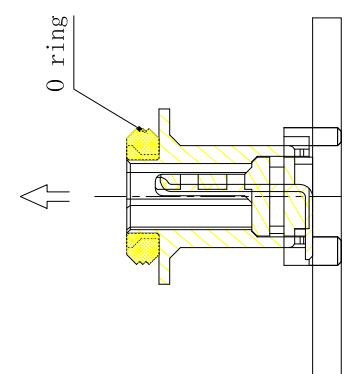
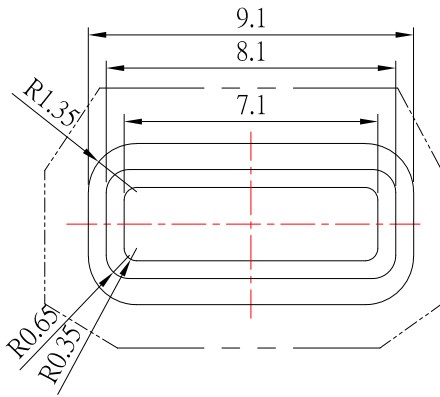
機殼面板對密封圈
與縮量0.40Min



COMPRESSION RATIO TO BE 40%-50%



RECOMMENDED OPEN DIMENSION OF CASE



4	更新樣式	Jack	090425
3	新增平整度標示	Jack	052422
2	更新圖面	Jack	063021
1	更新MODLE	Jack	061721
ITEM NO.	DESCRIPTION	DRAWN	DATE

CONTACT 建倚科技股份有限公司
CONTACT TECHNOLOGY CORP.

TOLERANCE UNLESS OTHERWISE STATED :	Up to 5 ±0.2	3RD. ANGEL'S	UNITS	MM
	Above 5 ~ 15 ±0.3			
	Above 15 ~ 30 ±0.4			
	Above 30 ~ 50 ±0.5			
	Angle ±0.3			

DRAWN BY:	DATE	MAT'L	TITLE	CONNECTOR
Jack Lu	09/04/25			
CHECKED BY:	DATE	FINISH	MODLE	MICRO 5B/F 立式SMT IPX7 外殼腳: 1.15X0.4X0.75mm 支架寬 5.0 mm
Jacky Chen	09/04/25			
APPROVED BY:	DATE	SCALE	DWG NO.	MRUSB-5B-WP9VB-x-S382
Tony Kao	09/04/25	1 : 1	PART NO.	MRUSB-5B-WP9VB-x-S382
		SHEET NO.	1 of 2	
				SIZE A4
				VER R4