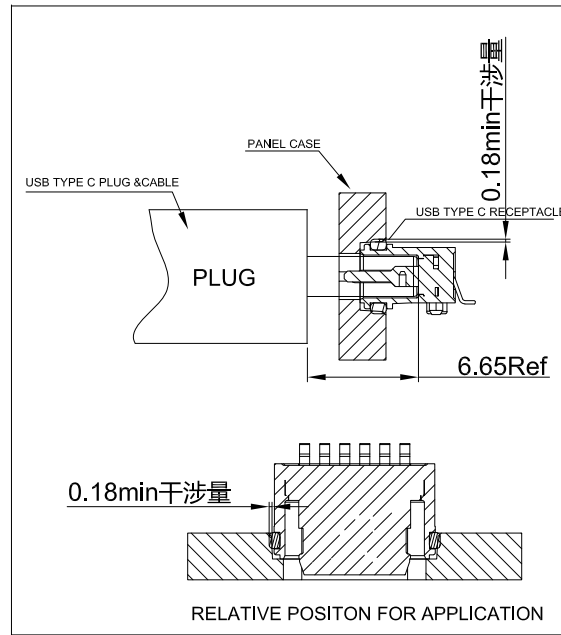


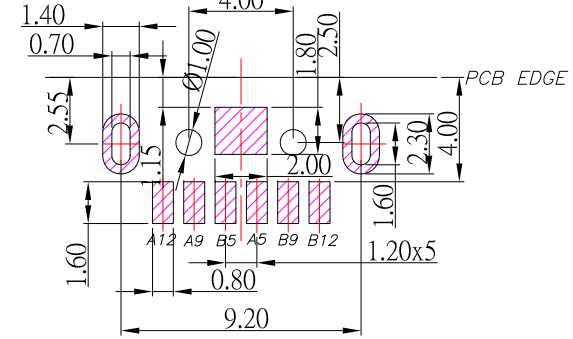
SBC-WP060S1-20x-S347

鍍層厚度:

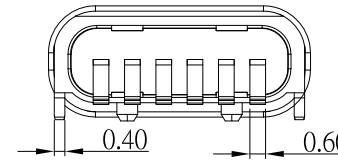
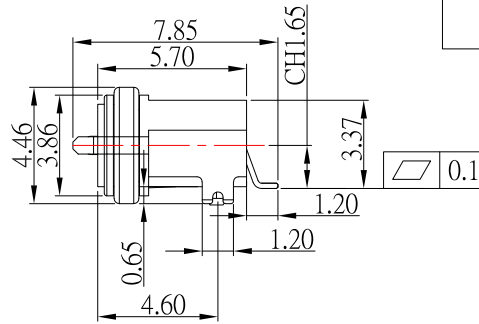
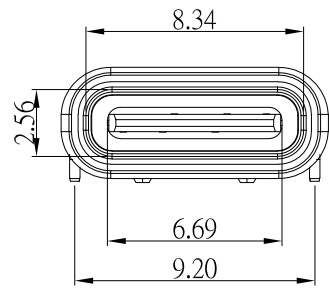
Blank : 1u"
2 : 15u"
3 : 30u"



IPX7



P.C.B LAYOUT



**SPECIFICATIONS**

**Electrical:**

- Rating: 5.0V ; 3.0A
- Contact Resistance: 40 mΩ Max
- Insulation Resistance: 100 MΩ Min
- Dielectric Withstanding Voltage: 100V AC

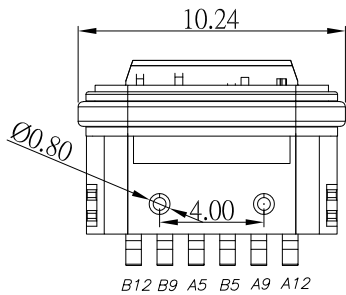
**Mechanical:**

- Connector Mate and Unmate Force
  - Mate force: 5~20 N
  - Unmate force: 8~20 N

**MATERIAL**

- Housing: LCP,Black
  - Contact: Phosphor Bronze
  - Shell: Zinc Alloy
  - O-Ring: Epoxy,Red
- Finish:**
- Contact: Plated Gold in Mating Area ;  
Gold Plated on Solder Balls ;  
Nickel under plated overall
  - Shell: Nickel under Plated surface layer

A1	A2	A3	A4	A5	A6	A7	A8	A9	A10	A11	A12
				CC1				VBUS			GND
B12	B11	B10	B9	B8	B7	B6	B5	B4	B3	B2	B1
GND			VBUS				CC2				



B12 B9 A5 B5 A9 A12

ITEM NO.	DESCRIPTION	DRAWN	DATE
4	更新圖面	Jack	042226
3	更新圖面	Jack	082222
2	更新接腳編號位置及名稱	Jack	051520
1	新增 PCB LAYOUT 接腳編號	Jack	031820

**CONTACT** 建倚科技股份有限公司  
CONTACT TECHNOLOGY CORP.

TOLERANCE UNLESS OTHERWISE STATED :

Up to 5	±0.2	3RD. ANGEL'S	UNITS	MM
Above 5 ~ 15	±0.3			
Above 15 ~ 30	±0.4			
Above 30 ~ 50	±0.5			

Angle ±0.3

DRAWN BY:	DATE	MATL	TITLE	CONNECTOR
Jack Lu	04/22/26			
CHECKED BY:	DATE	FINISH	MODLE	USB C TYPE 2.0 Female 防水型
Jacky Chen	04/22/26	SCALE	1 : 1	DWG NO. SBC-WP060S1-20x-S347
APPROVED BY:	DATE	SHEET NO.	1 of 1	PART NO. SBC-WP060S1-20x-S347
Tony Kao	04/22/26			SIZE A4 VER R4