



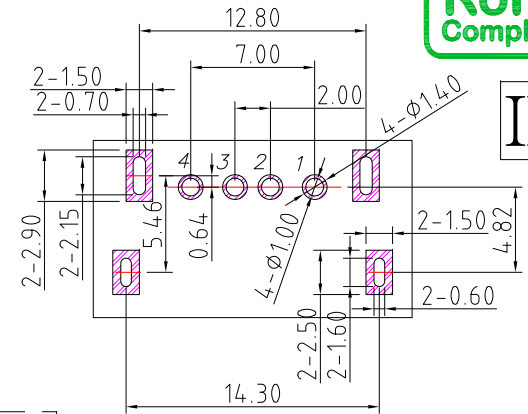
IPX8

# SUA-WP110H53-x-S165

Insulation Housin Color :

Black: B

White : W



PCB LAYOUT

PIN ASSIGNMENT

| PIN NO.     | 1    | 2  | 3  | 4   |
|-------------|------|----|----|-----|
| SINGAL NAME | VBUS | D- | D+ | GND |

SPECIFICATIONS

Electrical:

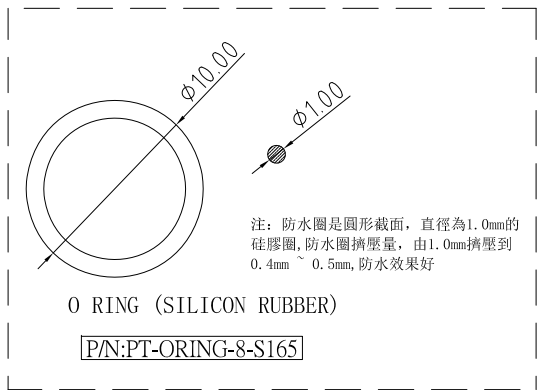
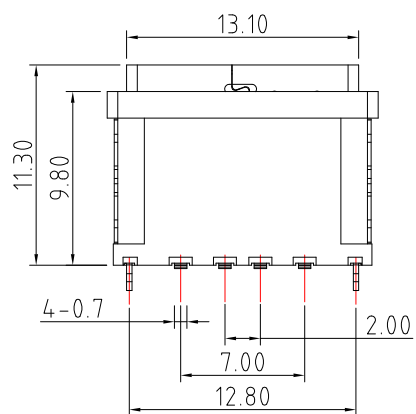
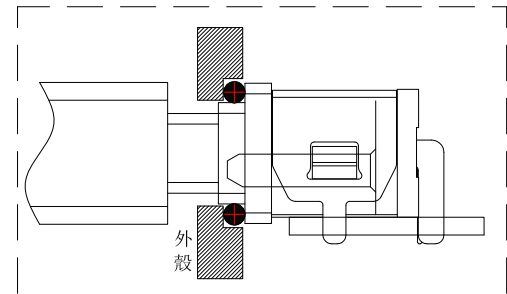
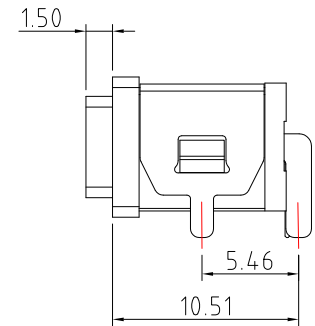
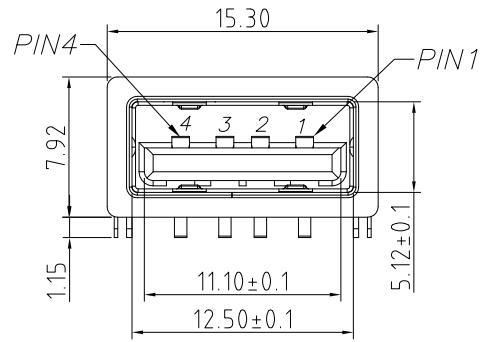
- 1.Rating: 3.0A
- 1.Contact Resistance: 40 mΩ Max
- 2.Insulation Resistance: 100 MΩ Min
- 3.Dielectric Withstanding Voltage: 100V AC

Material:

- 1.Insulation Housing: PA10T
- 2.Contact: Brass
- 3.Shell: SUS

Finish:

- 1.Contact: Plated Gold in Mating Area ;  
Gold Plated on Solder Balls  
Nickel under plated overall



**CONTACT** 建倚科技股份有限公司  
**CONTACT TECHNOLOGY CORP.**

TOLERANCE UNLESS OTHERWISE STATED :  
Up to 5 ±0.2  
Above 5 ~ 30 ±0.3  
Above 30 ~ 50 ±0.4  
Above 50 ±0.5  
Angle ±0.3°

3RD. ANGEL'S

UNITS MM

DRAWN BY: Jack Lu  
CHECKED BY: Jacky Chen  
APPROVED BY: Tony Kao

DATE: 07/31/20  
DATE: 07/31/20  
DATE: 07/31/20

|           |        |          |                          |
|-----------|--------|----------|--------------------------|
| MAT'L     |        | TITLE    | CONNECTOR                |
| FINISH    |        | MODLE    | USB 2.0 AF RA WATERPROOF |
| SCALE     | 1 : 1  | DWG NO.  | SUA-WP110H53-x-S165      |
| SHEET NO. | 1 of 1 | PART NO. | SUA-WP110H53-x-S165      |

| ITEM NO. | DESCRIPTION    | DRAWN | DATE   |
|----------|----------------|-------|--------|
| 1        | 新增PCB LAYOUT尺寸 | Jack  | 073120 |