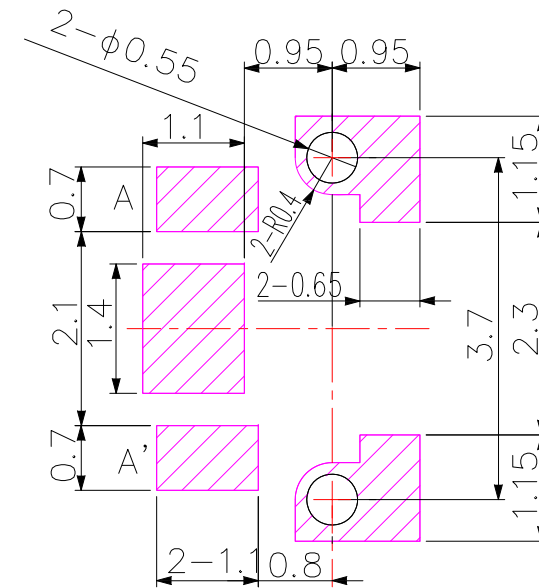
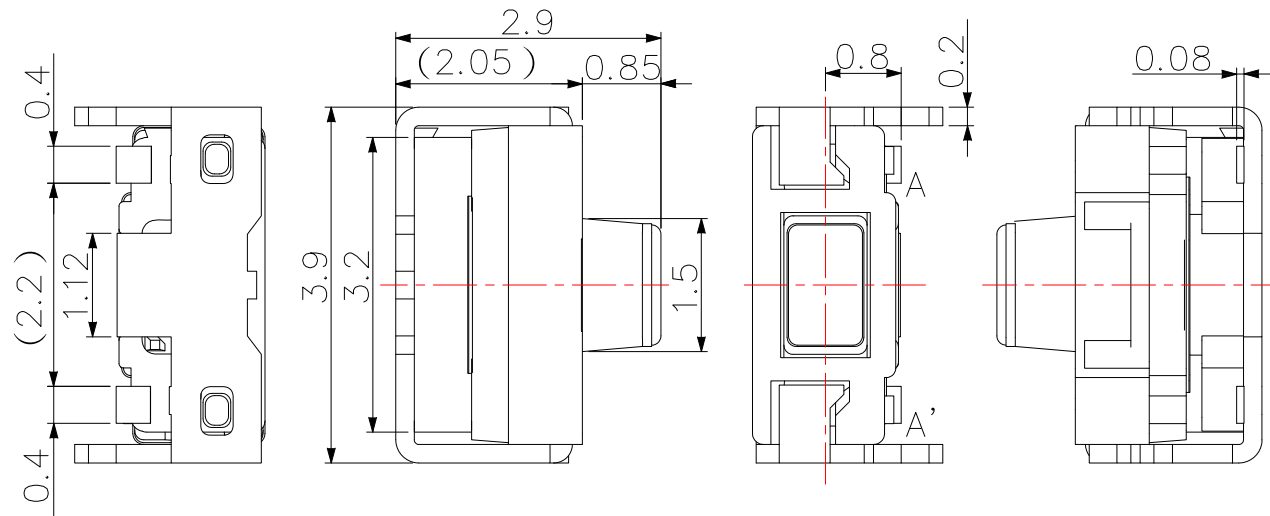
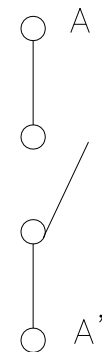
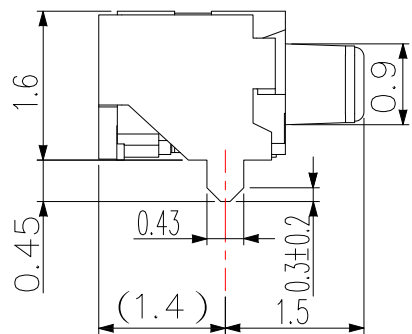


IP67



P.C.B LAND PATTERN & HOLE



CIRCUIT DIAGRAM

SPECIFICATIONS

Rating	DC 15V 20mA
Contact Resistance	100mΩ Max.
Travel	0.12 mm
Operating Force	160 ± 50gf
Operating Life (cycles)	500,000

CONTACT 建倚科技股份有限公司
CONTACT TECHNOLOGY CORP.

TOLERANCE UNLESS OTHERWISE STATED	Up to 5 ±0.2	3RD. ANGEL'S	UNITS	MM
	Above 5 ~ 30 ±0.3			
	Above 30 ~ 50 ±0.4			
	Above 50 ±0.5			
	Angle ±0.3°			

DRAWN BY:	DATE	MAT'L	TITLE	SWITCH
Jack Lu	06/07/21		MODLE	TACT SWITCH R/A WATERPROOF TYPE
CHECKED BY:	DATE	SCALE	DWG NO.	TS-309W-2-S182
Jacky Chen	06/07/21	1 : 1	PART NO.	TS-309W-2-S182
APPROVED BY:	DATE	SHEET NO.		
Tony Kao	06/07/21	1 of 1		

ITEM NO.	DESCRIPTION	DRAWN	DATE