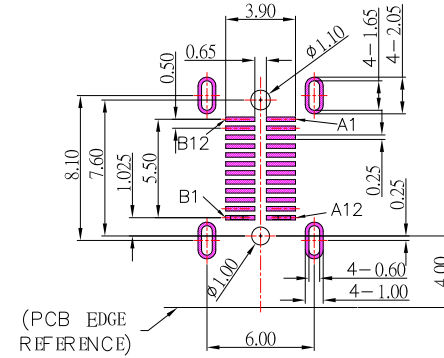
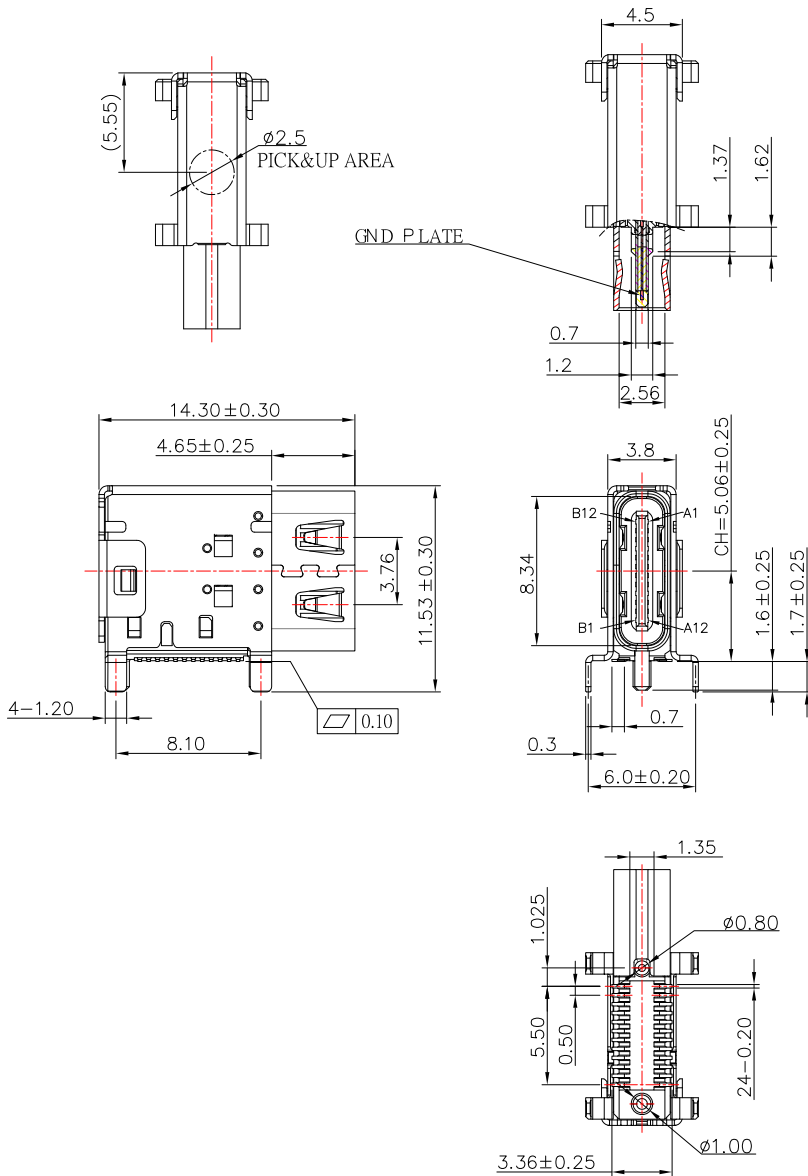




# SBC-240P-31x-S277

鍍層厚度：

Blank : 1u"
2 : 15u"
3 : 30u"



P.C.B LAYOUT MOUNTING PATTERN

## SPECIFICATIONS

### Electrical:

1. Rating: 3.0A
2. Contact Resistance: 40 mΩ Max
3. Insulation Resistance: 100 MΩ Min
4. Withstanding Voltage: 100V AC

### Material:

1. Housing: LCP
2. Contact: Copper Alloy
3. Shell: SUS

### Finish:

1. Contact: Plated Gold in Mating Area ;  
Tin Plated on Solder Balls ;  
Nickel under plated overall
2. Shell: Nickel under Plated surface layer

### PIN ASSIGNMENT:

PIN	Signal Name	PIN	Signal Name
A1	GND	B12	GND
A2	SSTXp1	B11	SSRXp1
A3	SSTXn1	B10	SSRXn1
A4	Vbus	B9	Vbus
A5	CC1	B8	SBU2
A6	Dp1	B7	DN2
A7	Dn1	B6	DP2
A8	SBU1	B5	CC2
A9	Vbus	B4	Vbus
A10	SSRXn2	B3	SSTXn2
A11	SSRXp2	B2	SSTXp2
A12	GND	B1	GND



TOLERANCE UNLESS OTHERWISE STATED:  
 Up to 5 ± 0.2  
 Above 5 ~ 15 ± 0.3  
 Above 15 ~ 30 ± 0.4  
 Above 30 ~ 50 ± 0.5  
 Angle ± 0.3°

3RD. ANGEL'S



UNITS MM

DRAWN BY: Jack Lu  
 CHECKED BY: Jacky Chen  
 APPROVED BY: Tony Kao

DATE: 12/29/20  
 DATE: 12/29/20  
 DATE: 12/29/20

MAT'L		TITLE	CONNECTOR
FINISH		MODLE	USB 3.1 TYPE C 側立式貼片 SMT
SCALE	1 : 1	DWG NO.	SBC-240P-31x-S277
SHEET NO.	1 of 1	PART NO.	SBC-240P-31x-S277

SIZE A4  
 VER R

ITEM NO.	DESCRIPTION	DRAWN	DATE