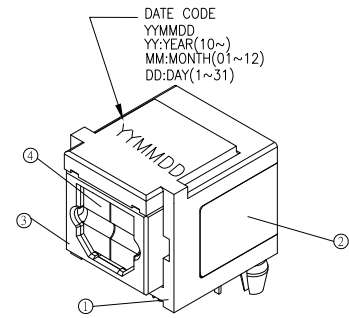
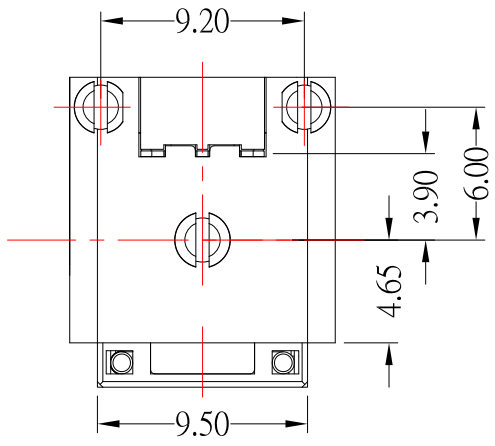
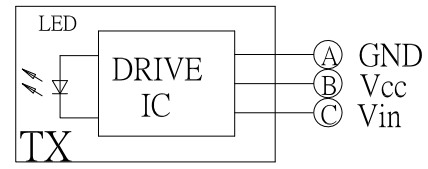


PCB LAYOUT
TOP VIEW



SPECIFICATIONS:

1. DISSIPATION CURRENT: 5.0 mA.
2. OPERATING VOLTAGE(Vcc): 2.7-5.5 V.
3. INSERTION FORCE: 4.0 Max Kgs
4. EXTRACTION FORCE: 0.6 Kgs TO 4.0 Kgs
5. ENDURANCE: 500 CYCLES
6. OPERATING TEMPERATURE: -25 TO +70 °C.

ITEM	DESCRIPTION	MATERIAL	PLATING&COLOR	Q'TY
⑥	TX UNIT	25M		1
⑤	COIL SPRING	SUS		2
④	GATE	PA9T	GREEN COLOR	2
③	FRAME	PA9T	BLACK COLOR	1
②	COVER	PA9T	BLACK COLOR	1
①	HOUSING	PA9T	BLACK COLOR	1

CONTACT 建倚科技股份有限公司
CONTACT TECHNOLOGY CORP.

TOLERANCE UNLESS OTHERWISE STATED:
 Up to 5 ±0.2
 Above 5 ~ 15 ±0.3
 Above 15 ~ 30 ±0.4
 Above 30 ~ 50 ±0.5
 Angle ±0.3

3RD. ANGEL'S



UNITS

MM

DRAWN BY:	DATE	MAT'L	TITLE	JACK
Jack Lu	11/22/19			
CHECKED BY:	DATE	FINISH	MODLE	OPTICAL JACK(發射端)
Jacky Chen	11/22/19			
APPROVED BY:	DATE	SCALE	DWG NO.	OJ-418-TX2-S214
Tony Kao	11/22/19	1 : 1		
		SHEET NO.	PART NO.	OJ-418-TX2-S214
		1 of 1		

ITEM NO.	DESCRIPTION	DRAWN	DATE
1	新增傳輸代碼	Jack	112219