



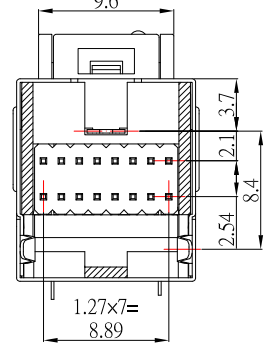
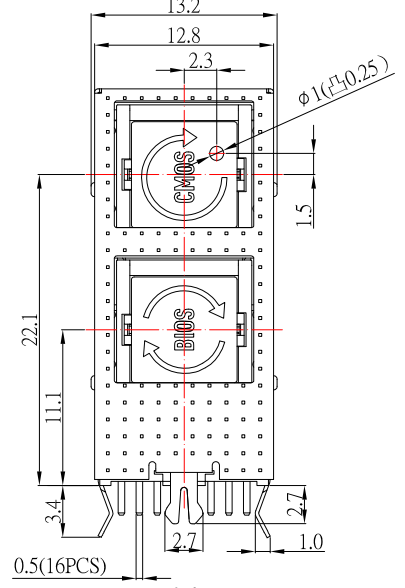
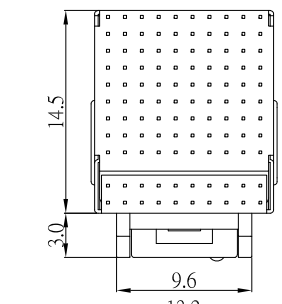
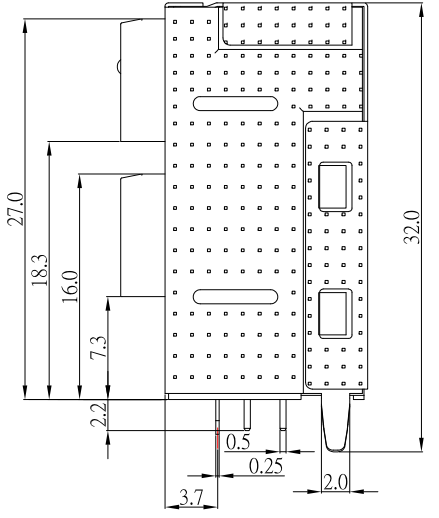
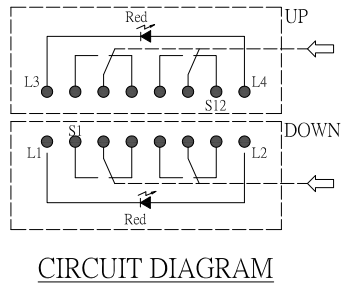
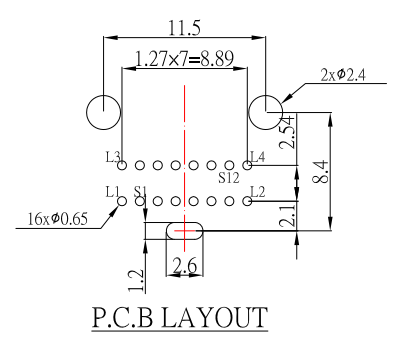
PS-xx-2019Ax-HF-S313

COLOR OF LED

0	Without	1	Red
2	Green	3	Orange
4	Yellow	7	Blue
8	White		

L	Self-Lock
N	Non-Lock

16	LED		2	
15	TERMINAL	NYLON/BRASS	16	BLACK/Au PLATED
14	PCB	RUBBER PLATE	1	NATURAL
13	CAP(CMOS)	PC	1	SILVER LASER
12	CAP(BIOS)	PC	1	SILVER LASER
11	LRON BASE PLATE	STAINLESS STEEL	1	Ni PLATED
10	LRON SHELL	STAINLESS STEEL	1	Ni PLATED
9	PLASTIC FLOOR	NYLON	1	BLACK
8	PLASTIC COVER	NYLON	1	BLACK
7	CLIP	PBS	4	Ag CLAD
6	LOCK PIN	STAINLESS STEEL	2	NATURAL
5	SPRING	STAINLESS STEEL	2	NATURAL
4	SWITCH TERMINAL	NYLON/BRASS	12	BLACK/Ag PLATED
3	CASE	NYLON	2	BLACK
2	COVER	NYLON	2	BLACK
1	KNOB	NYLON	2	WHITE
NO.	PART NAME	MATERIAL	QTY.	FINISHING



CONTACT 建倚科技股份有限公司
CONTACT TECHNOLOGY CORP.

TOLERANCE UNLESS OTHERWISE STATED:
 Up to 5 ±0.2
 Above 5 ~ 15 ±0.3
 Above 15 ~ 30 ±0.4
 Above 30 ~ 50 ±0.5
 Angle ±0.3

3RD. ANGEL'S



UNITS MM

DRAWN BY:	DATE	MAT'L	TITLE	SWITCH
Jack Lu	08/07/20			
CHECKED BY:	DATE	FINISH	MODLE	雙層帶燈 PUSH SWITCH
Jacky Chen	08/07/20			
APPROVED BY:	DATE	SCALE	DWG NO.	PS-xx-2019Ax-HF-S313
Tony Kao	08/07/20	1 : 1		
		SHEET NO.	PART NO.	PS-xx-2019Ax-HF-S313
		1 of 1		
				SIZE A4
				VER R2

2	新增選項	Jack	080720
1	更新圖面	Jack	072020
ITEM NO.	DESCRIPTION	DRAWN	DATE