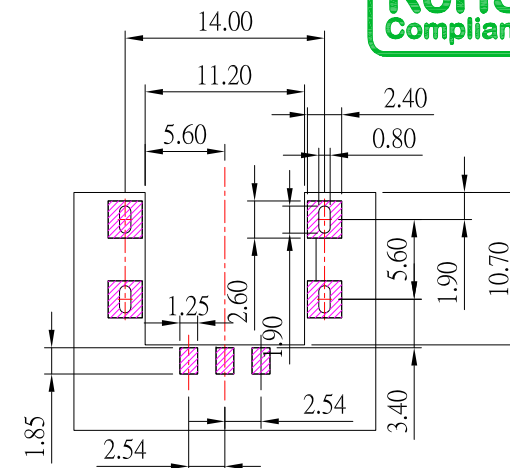
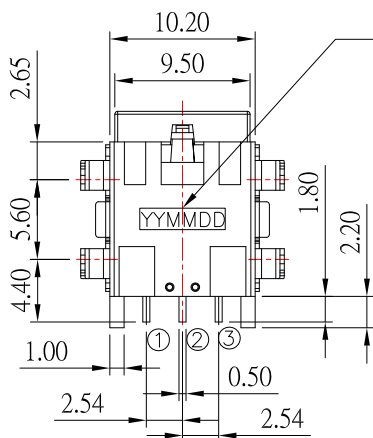
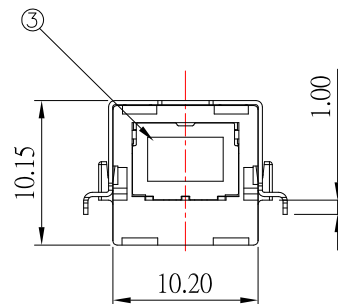
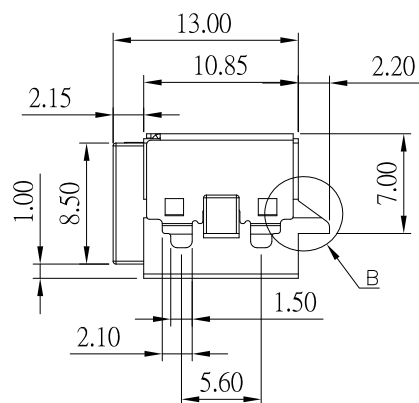
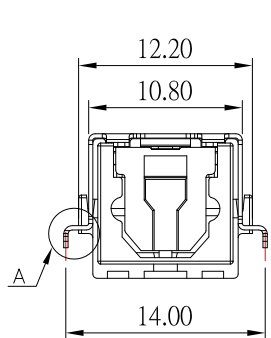


DETAIL "A" SCALE 4:1

DETAIL "B" SCALE 4:1

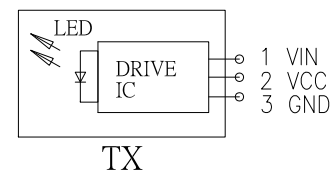
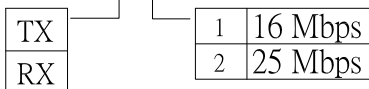


PCB LAYOUT
BOTTOM VIEW

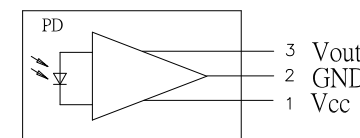


DATE CODE:
YYMMDD
YY:YEAR(10~)
MM:MONTH(01~12)
DD:DATE(01~31)

OJ-421F07XXx-S214



TX



RX

⑥	DRIVE IC		1	16 Mbps / 25Mbps
⑤	SHELL	SPCC	1	Tin Plated
④	SPRING	SUS	1	
③	COVER	PA9T	1	Black
②	HOUSING	PA9T	1	Black
①	GATE	PA9T	1	Black
ITEM	DESCRIPTIONs	MATERIAL	Q'TY	NOTE

CONTACT 建倚科技股份有限公司
CONTACT TECHNOLOGY CORP.

TOLERANCE UNLESS OTHERWISE STATED:
Up to 5 ±0.2
Above 5 ~ 15 ±0.3
Above 15 ~ 30 ±0.4
Above 30 ~ 50 ±0.5
Angle ±0.3

3RD. ANGEL'S



UNITS

MM

DRAWN BY:	DATE	MAT'L	TITLE	JACK
Jack Lu	11/20/19			
CHECKED BY:	DATE	FINISH	MODLE	OPTICAL JACK
Jacky Chen	11/20/19			
APPROVED BY:	DATE	SCALE	DWG NO.	OJ-421F07XXx-S214
Tony Kao	11/20/19	1 : 1	PART NO.	OJ-421F07XXx-S214
		SHEET NO.	1 of 1	

1	更新料號	Jack	112019
ITEM NO.	DESCRIPTION	DRAWN	DATE