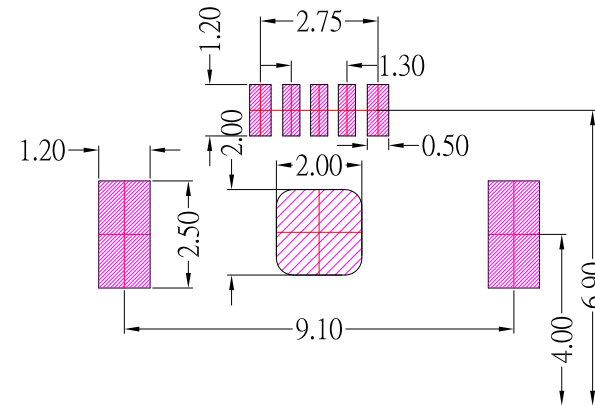
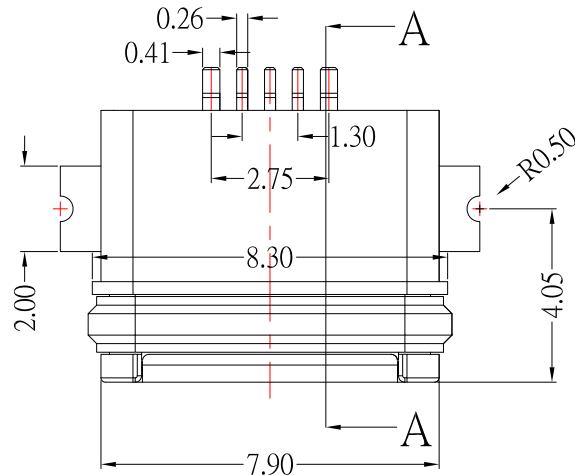


IPX7



P.C.B LAYOUT MOUNTING PATTERN

NOTES:

MATERIAL:

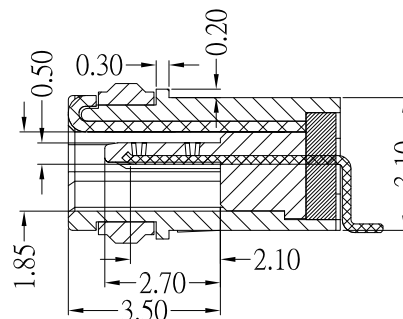
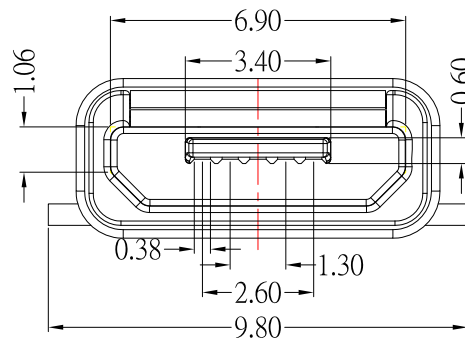
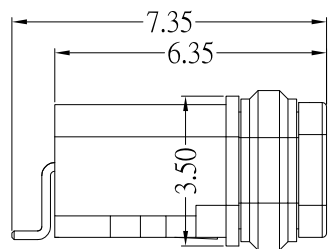
- 1.1 HOUSING: HIGH TEMPERATURE
- 1.2 CONTACT: COPPER ALLOY
- 1.3 SHELL: SUS

FINISH:

- 2.1 CONTACT: PLATED GOLD IN MATING AREA ;
GOLD PLATED ON SOLDER BALLS ;
NICKEL UNDER PLATED OVERALL
- 2.2 SHELL: NICKEL UNDER PLATED SURFACE LAYER

3.SPECIFICATION:

- 3.1 RATING: 1.8A(PIN1&5) , 1.0A(PIN2&3&4)
- 3.2 DIELECTRIC WITHSTANDING VOLTAGE: 100 VAC
- 3.3 CONTACT RESISTANCE: 30 mΩ MAX.
- 3.4 INSULATION RESISTANCE: 1000 MΩ MIN.
- 3.5 TEMPERATURE RANG: -30°C ~ 80°C



A-A

CONTACT 建倚科技股份有限公司
CONTACT TECHNOLOGY CORP.

TOLERANCE UNLESS OTHERWISE STATED:
Up to 5 ±0.2
Above 5 ~ 15 ±0.3
Above 15 ~ 30 ±0.4
Above 30 ~ 50 ±0.5
Angle ±0.3°

3RD. ANGEL'S

UNITS MM

DRAWN BY:	DATE	MAT'L	TITLE	CONNECTOR
Jack Lu	12/06/19		MODLE	MICRO USB 5PF B TYPE H 3.95 IPX7
CHECKED BY:	DATE	FINISH	DWG NO.	MRUSB-5B-WP16-S347
Jacky Chen	12/06/19		PART NO.	MRUSB-5B-WP16-S347
APPROVED BY:	DATE	SCALE	SHEET NO.	1 of 1
Tony Kao	12/06/19	1 : 1		

ITEM NO.	DESCRIPTION	DRAWN	DATE