

TID : 9906

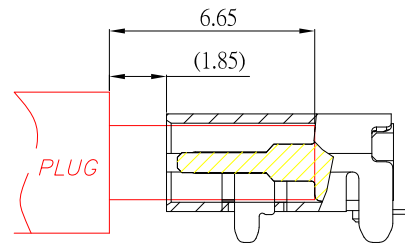
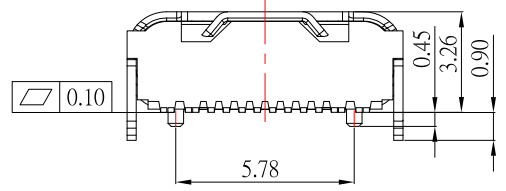
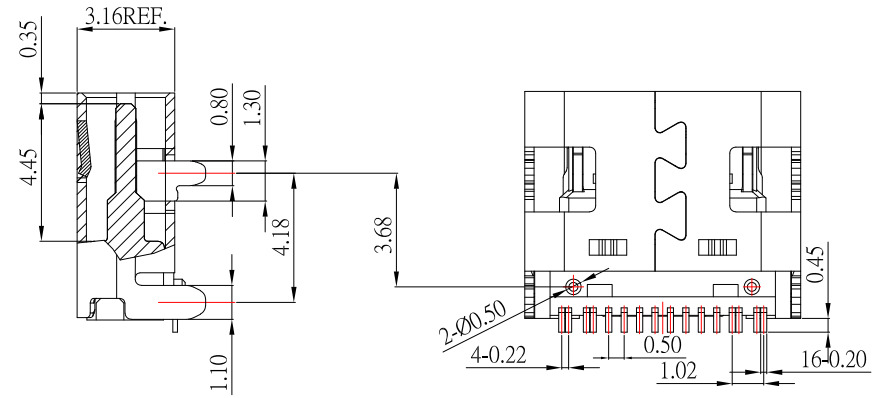
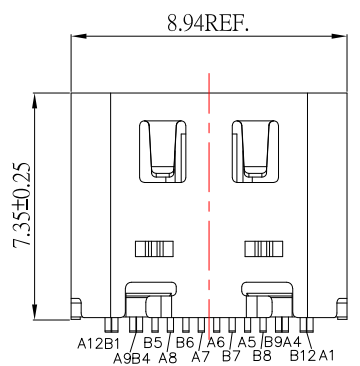
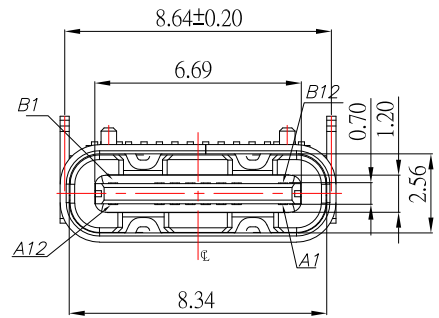


# SBC-160S1B-20xx-S412

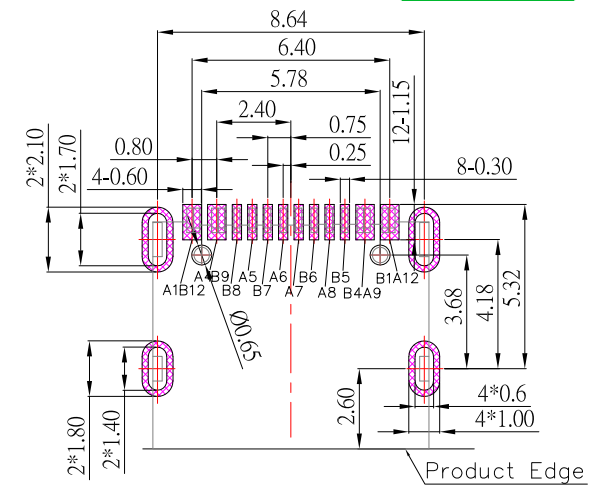
鍍層厚度：  
Blank : 1u"  
2 : 15u"  
3 : 30u"

Housing Color :  
Black : Blank  
White : W

A1	GND	B12	GND
A4	VBUS	B9	VBUS
A5	CC1	B8	SBU2
A6	D+	B7	D-
A7	D-	B6	D+
A8	SBU1	B5	CC2
A9	VBUS	B4	VBUS
A12	GND	B1	GND
PIN	SIGNAL NAME	PIN	SIGNAL NAME



AFTER MATING



P.C.B. LAYOUT

## SPECIFICATIONS

- Electrical:**
- 1.Rating: 5.0A
  - 2.Dielectric Withstand Voltage: 100V AC
  - 3.Contact Resistance: 40 mΩ Max
  - 4.Insulation Resistance: 100 MΩ Min

## MATERIAL

- 1.Housing: LCP
  - 2.Contact: C7025
  - 3.Shell: SUS
- Finish:**
- 1.Contact: Plated Gold in Mating Area ;  
Gold Plated on Solder Balls ;  
Nickel under plated overall
  - 2.Shell: Nickel under Plated surface layer

17	更新尺寸	Jack	043026
16	更新PCB LAYOUT尺寸	Jack	031626
15	新增尺寸	Jack	011624
14	新增尺寸	Jack	112223
13	新增尺寸	Jack	091123
12	新增TID:9906	Jack	082323
ITEM NO.	DESCRIPTION	DRAWN	DATE

**CONTACT** 建倚科技股份有限公司  
**CONTACT TECHNOLOGY CORP.**

TOLERANCE UNLESS OTHERWISE STATED :	Up to 5 ±0.2	Above 5 ~ 15 ±0.3	Above 15 ~ 30 ±0.4	Above 30 ~ 50 ±0.5	Angle ±0.3	3RD. ANGEL'S	UNITS	MM
-------------------------------------	--------------	-------------------	--------------------	--------------------	------------	--------------	-------	----

DRAWN BY:	DATE	MAT'L	TITLE	CONNECTOR
Jack Lu	04/30/26	FINISH	MODLE	USB TYPE C 2.0 板上型帶彈片
CHECKED BY:	DATE	SCALE	DWG NO.	SBC-160S1B-20xx-S412
Jacky Chen	04/30/26	1 : 1	PART NO.	SBC-160S1B-20xx-S412
APPROVED BY:	DATE	SHEET NO.	1 of 1	
Tony Kao	04/30/26			