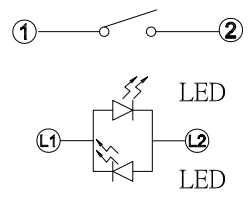
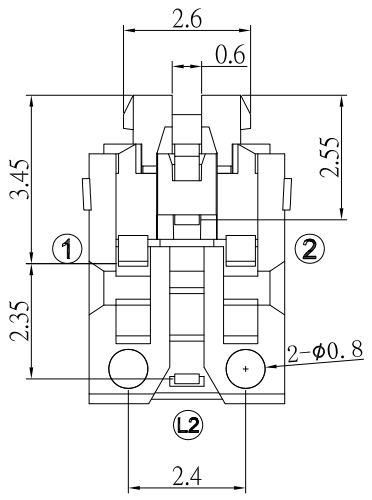


P.C.B LAYOUT

TS-H7-xx-E0RL-S065

COLOR OF LED

| | | | |
|---|---------|---|--------|
| 0 | Without | 1 | Red |
| 2 | Green | 3 | Orange |
| 4 | Yellow | 7 | Blue |
| 8 | White | | |



SCHEMATIC

SPECIFICATIONS

| | |
|-------------------------|------------------------|
| Rating | DC 12V 50 mA Max. |
| Contact Resistance | 500 mΩ Max. |
| Insulation Resistance | 100 V DC , 100 MΩ Min. |
| Operating Temperature | -20°C ~ +70°C |
| Operating Force | 160 ± 50gf |
| Operating Life (cycles) | 100,000 |

| NO. | PART NAME | QTY | MATERIAL | SPECIAL DEAL |
|-----|--------------|-----|-----------------|----------------|
| 1 | BRACKET | 1 | LCP | WHITE |
| 2 | BASE FRAME | 1 | LCP | WHITE |
| | TERMINAL | 1 | PHOSPHOR BRONZE | SILVER PLATING |
| 3 | SPRING PLATE | 1 | STAINLESS STEEL | SILVER PLATING |
| 4 | ACTUATOR | 1 | PA6T | WHITE |
| 5 | FRAME | 1 | STAINLESS STEEL | TIN PLATING |
| | LED | 1 | | |

CONTACT 建倚科技股份有限公司
CONTACT TECHNOLOGY CORP.

TOLERANCE UNLESS OTHERWISE STATED:
 Up to 5 ±0.2
 Above 5 ~ 15 ±0.3
 Above 15 ~ 30 ±0.4
 Above 30 ~ 50 ±0.5
 Angle ±0.3

3RD. ANGEL'S

UNITS MM

DRAWN BY: Jack Lu DATE: 11/26/18
 CHECKED BY: Jacky Chen DATE: 11/26/18
 APPROVED BY: Tony Kao DATE: 11/26/18

MAT'L: TITLE: SWITCH
 FINISH: MODLE: TACT SWITCH W/I LED
 SCALE: 1 : 1 DWG NO.: TS-H7-xx-E0RL-S065 SIZE: A4
 SHEET NO.: 1 of 1 PART NO.: TS-H7-xx-E0RL-S065 VER: R2

| ITEM NO. | DESCRIPTION | DRAWN | DATE |
|----------|-------------|-------|--------|
| 2 | 更新料號 | Jack | 112618 |
| 1 | 新增材質表 | Jack | 092818 |