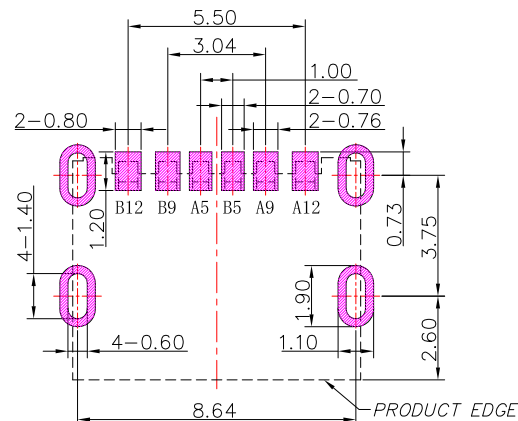
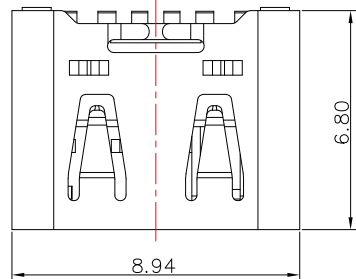




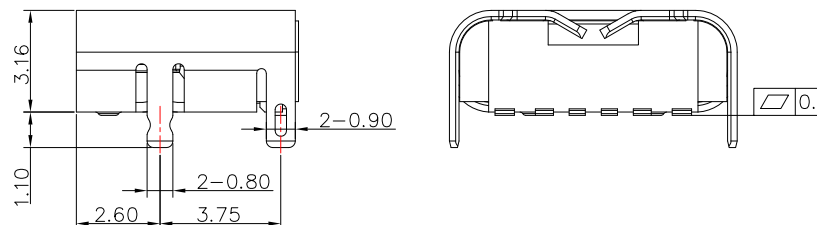
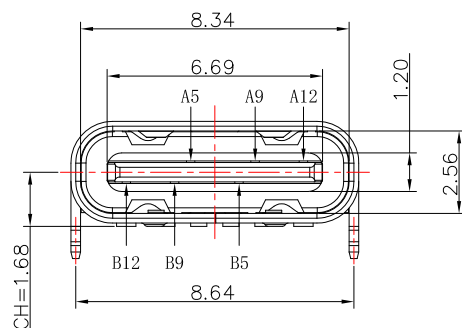
SBC-060SA-20x-S175

鍍層厚度：

Blank : 1u"
2 : 15u"
3 : 30u"

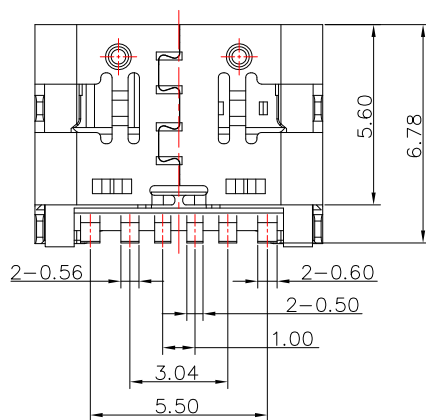


RECOMMENDED P.C.B. LAYOUT



USB TYPE C PIN ASSIGNMENTS

PIN NUMBER	SIGNAL NAME	PIN NUMBER	SIGNAL NAME
A5	CC1	B12	GND
A9	VBUS	B9	VBUS
A12	GND	B5	CC2



SPECIFICATIONS

Electrical:

1. Rating: 20 V, 3.0 A
2. Dielectric Withstand Voltage: 100V AC
3. Contact Resistance: 40 mΩ Max
4. Insulation Resistance: 100 MΩ Min

Mechanical:

1. Connector Mate and Unmate Force
 - 1.1 Mate force: 5~20 N
 - 1.2 Unmate force: 8~20 N

Material:

1. Housing: LCP
2. Contact: Copper Alloy
3. Shell: SUS

Finish:

1. Contact: Plated Gold in Mating Area ;
Tin Plated on Solder Balls ;
Nickel under plated overall
2. Shell: Nickel under Plated surface layer

CONTACT 建倚科技股份有限公司
CONTACT TECHNOLOGY CORP.

TOLERANCE UNLESS OTHERWISE STATED:
Up to 5 ±0.2
Above 5 ~ 15 ±0.3
Above 15 ~ 30 ±0.4
Above 30 ~ 50 ±0.5
Angle ±0.3°

3RD. ANGEL'S

UNITS MM

DRAWN BY:	DATE	MAT'L	TITLE	CONNECTOR
Jack Lu	08/20/20		MODLE	USB C TYPE 2.0 Female SMT 6PIN 外殼腳長1.10 帶彈片
CHECKED BY:	DATE	FINISH	SCALE	1 : 1
Jacky Chen	08/20/20		DWG NO.	SBC-060SA-20x-S175
APPROVED BY:	DATE	SHEET NO.	PART NO.	SBC-060SA-20x-S175
Tony Kao	08/20/20	1 of 1		

ITEM NO.	DESCRIPTION	DRAWN	DATE