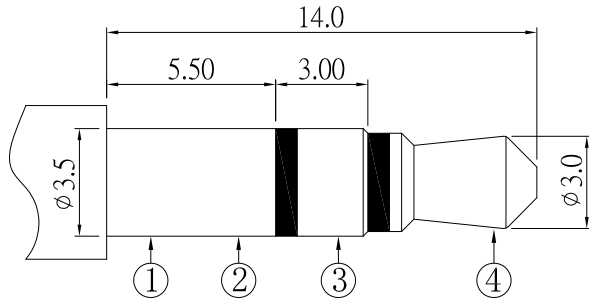
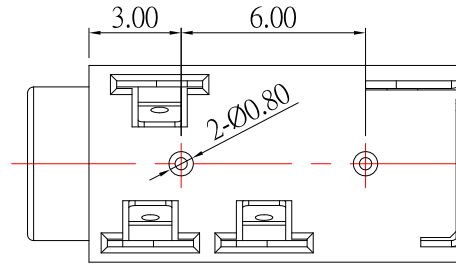


P.C.B LAYOUT  
TOP VIEW



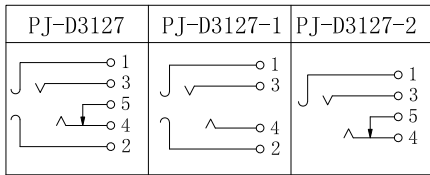
Ø3.50mm 3 POLE PLUG



SPECIFICATION

- 1.Rating : DC 30V, 1.0A ;
- 2.Contact resistance :  $\leq 30m\Omega$  ;
- 3.Insulation resistance :  $\geq 100M\Omega$  ;
- 4.Withstand voltage : 500VAC ;
- 5.Insertion and extraction force : 3-30N;
- 6.life test : 5,000 cycles °

SCHMATIC



6	HOUSING	1	PA9T	
5	5# CONTACT FOOT	1	PHOSPHOR BRONZE	Ag-Plating
4	4# CONTACT FOOT	1	PHOSPHOR BRONZE	Ag-Plating
3	3# CONTACT FOOT	1	PHOSPHOR BRONZE	Ag-Plating
2	2# CONTACT FOOT	1	PHOSPHOR BRONZE	Ag-Plating
1	1# CONTACT FOOT	1	PHOSPHOR BRONZE	Ag-Plating
No	PART NAME	QTY	MATERIAL	REMARK

**CONTACT** 建倚科技股份有限公司  
CONTACT TECHNOLOGY CORP.

TOLERANCE UNLESS OTHERWISE STATED :  
 Up to 5 ±0.2  
 Above 5 ~ 15 ±0.3  
 Above 15 ~ 30 ±0.4  
 Above 30 ~ 50 ±0.5  
 Angle ±0.3

3RD. ANGEL'S



UNITS

MM

DRAWN BY:	DATE	MAT'L	TITLE	JACK
Jack Lu	06/24/25		MODLE	PHONE JACK
CHECKED BY:	DATE	FINISH	DWG NO.	PJ-D3127-x-S124
Jacky Chen	06/24/25		PART NO.	PJ-D3127-x-S124
APPROVED BY:	DATE	SCALE	1 : 1	
Tony Kao	06/24/25	SHEET NO.	1 of 1	

3	更新圖面	Jack	062425
2	更新圖面	Jack	103122
1	更新為A0版	Jack	090117
ITEM NO.	DESCRIPTION	DRAWN	DATE

SIZE	A4
VER	R3