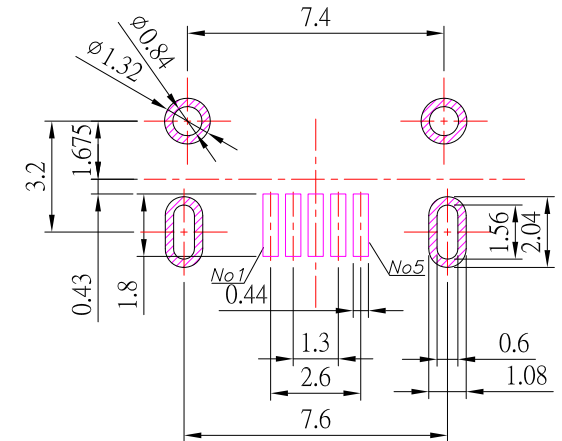
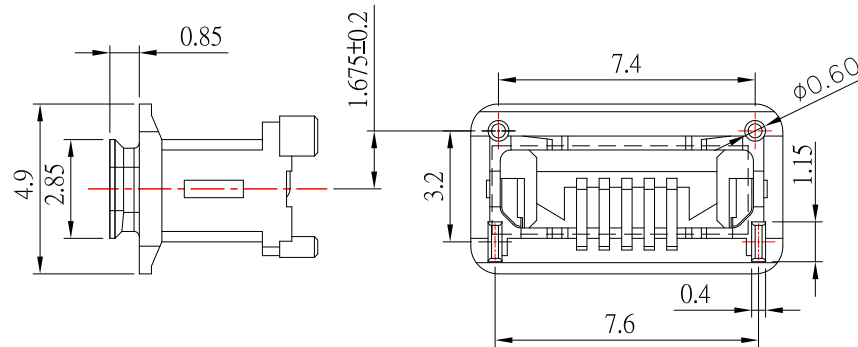
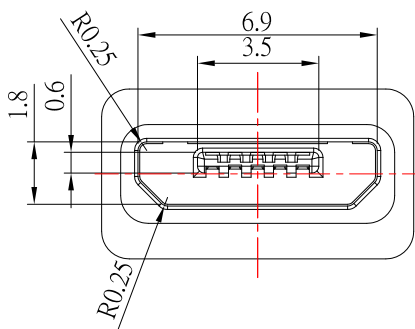


MRUSB-5B-WP9VA-x-S382

鍍層厚度:

Blank	: 1u"
2	: 15u"
3	: 30u"

IPX7



P.C.B LAYOUT MOUNTING PATTERN

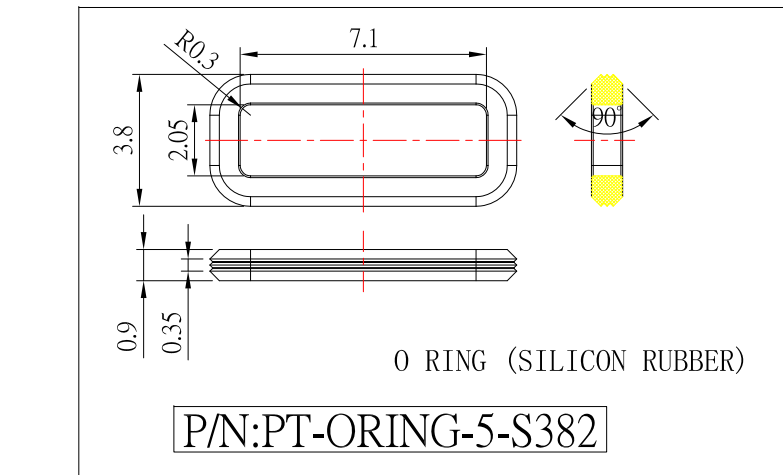
NOTES:

MATERIAL:

- 1.1 HOUSING: HIGH-TEMP
- 1.2 CONTACT: COPPER ALLOY
- 1.3 SHELL: SUS

FINISH:

- 2.1 CONTACT: PLATED GOLD IN MATING AREA ;  
GOLD PLATED ON SOLDER BALLS ;  
NICKEL UNDER PLATED OVERALL
  - 2.2 SHELL: NICKEL UNDER PLATED SURFACE LAYER
- 3.SPECIFICATION:
- 3.1 RATING: 1.8 A(PIN1,5) ; 1.0A (PIN2,3,4) , 30VAC
  - 3.2 DIELECTRIC WITHSSTANDING VOLTAGE: 100 VAC
  - 3.3 CONTACT RESISTANCE: 30 mΩ MAX.
  - 3.4 INSULATION RESISTANCE: 1000 MΩ MIN.



O RING (SILICON RUBBER)

P/N:PT-ORING-5-S382

9	更新料號	Jack	102720
8	更新樣式及尺寸	Jack	092820
7	更新圖面	Jack	111119
6	更新Rating	Jack	042319
5	新增ORING料號	Jack	032819
4	更新樣式	Jack	121218
3	更新PCB LAYOUT尺寸	Jack	061318
2	更新尺寸	Jack	061218
1	更新圖面	Jack	052318
ITEM NO.	DESCRIPTION	DRAWN	DATE

**CONTACT** 建倚科技股份有限公司  
**CONTACT TECHNOLOGY CORP.**

TOLERANCE UNLESS OTHERWISE STATED:

Up to 5	±0.2
Above 5 ~ 15	±0.3
Above 15 ~ 30	±0.4
Above 30 ~ 50	±0.5
Angle	±0.3°

3RD. ANGEL'S



UNITS

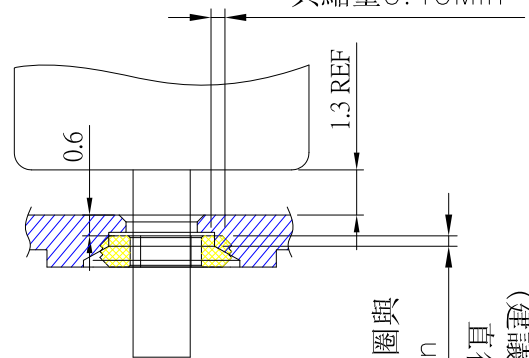
MM

DRAWN BY:	DATE	MAT'L	TITLE	CONNECTOR
Jack Lu	10/27/20		MODLE	MICRO USB 5PF B TYPE 直立式 防水型 IPX7 (外殼腳1.15 X 0.4 X 0.75)
CHECKED BY:	DATE	FINISH	DWG NO.	SIZE
Jacky Chen	10/27/20		MRUSB-5B-WP9VA-x-S382	A4
APPROVED BY:	DATE	SCALE	PART NO.	VER
Tony Kao	10/27/20	1 : 1	MRUSB-5B-WP9VA-x-S382	R9
SHEET NO.		1 of 2		

# IPX7

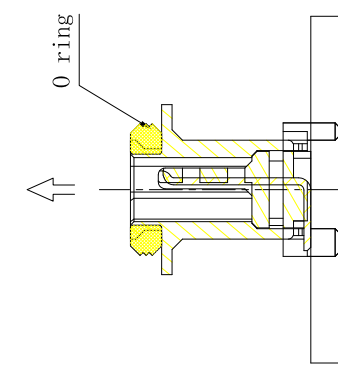
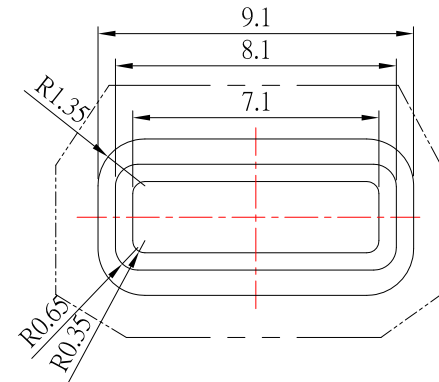
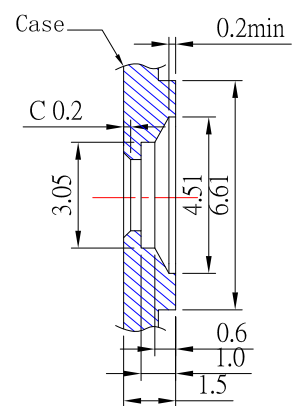
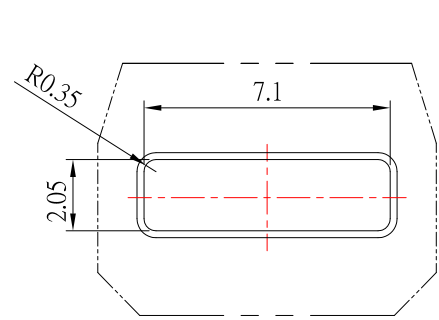


機殼面板對密封圈  
與縮量0.40Min



COMPRESSION RATIO TO BE 40%-50%

機殼面板對密封圈與  
縮量0.30Min  
(建議壓縮量為密封圈  
直徑大小40-50%)



RECOMMENDED OPEN DIMENSION OF CASE

9	更新料號	Jack	102720
8	更新樣式及尺寸	Jack	092820
7	更新圖面	Jack	111119
6	更新Rating	Jack	042319
5	新增ORING料號	Jack	032819
4	更新樣式	Jack	121218
3	更新PCB LAYOUT尺寸	Jack	061318
2	更新尺寸	Jack	061218
1	更新圖面	Jack	052318
ITEM NO.	DESCRIPTION	DRAWN	DATE

**CONTACT** 建倚科技股份有限公司  
**CONTACT TECHNOLOGY CORP.**

TOLERANCE UNLESS OTHERWISE STATED:	Up to 5 ±0.2	Above 5 ~ 15 ±0.3	Above 15 ~ 30 ±0.4	Above 30 ~ 50 ±0.5	Angle ±0.3°
	3RD. ANGEL'S	UNITS	MM		

DRAWN BY:	DATE	MAT'L	TITLE	CONNECTOR
Jack Lu	10/27/20		MODLE	MICRO USB 5P B TYPE 直立式 防水型 IPX7 (外殼腳1.15 X 0.4 X 0.75)
CHECKED BY:	DATE	FINISH	DWG NO.	SIZE
Jacky Chen	10/27/20		MRUSB-5B-WP9V-x-S382	A4
APPROVED BY:	DATE	SCALE	PART NO.	VER
Tony Kao	10/27/20	1 : 1	MRUSB-5B-WP9V-x-S382	R9
		SHEET NO.		
		1 of 2		