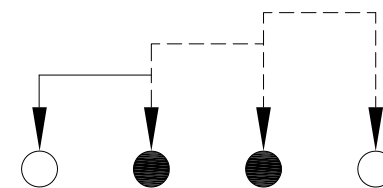
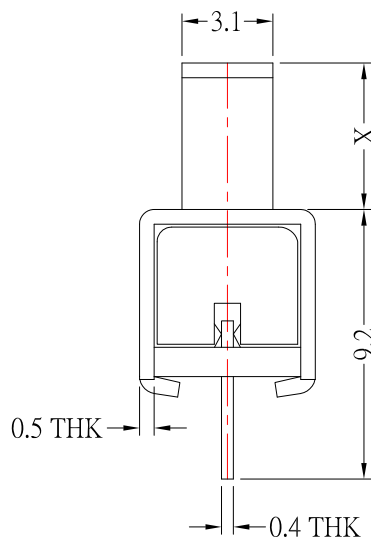
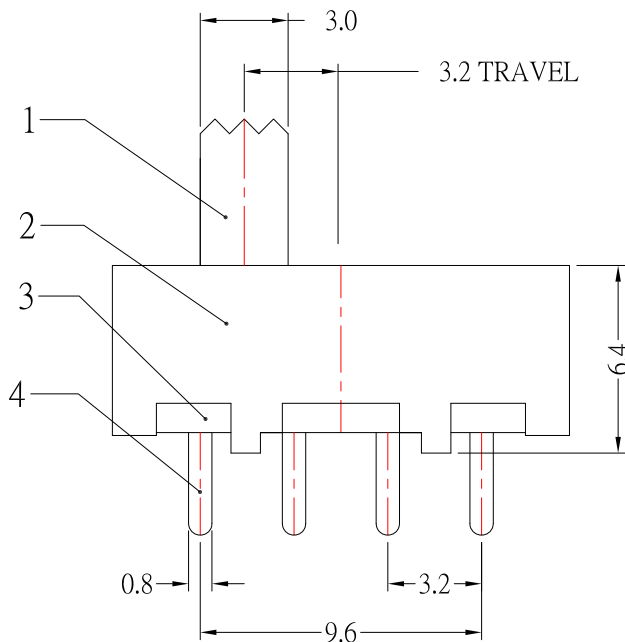


P.C.B LAYOUT
BOTTOM VIEW



SCHEMATIC (NON-SHORTING)



| Model No. | X(mm) |
|-------------|-------|
| SS-13F06-G2 | 2mm |
| SS-13F06-G3 | 3mm |
| SS-13F06-G4 | 4mm |
| SS-13F06-G5 | 5mm |
| SS-13F06-G6 | 6mm |
| SS-13F06-G7 | 7mm |
| SS-13F06-G8 | 8mm |
| SS-13F06-G9 | 9mm |

SPECIFICATIONS

| | |
|-------------------------|--------------|
| Rating | DC 50V 0.5A |
| Circuit | 1P - 3T |
| Contact Resistance | 200mΩ Max. |
| Insulation Resistance | 100MΩ Min. |
| Operating Force | 250gf ±100gf |
| Operating Life (cycles) | 10,000 |

| NO. | DESCRIPTION | QTY | MATERIAL | REMARK |
|-----|--------------|-----|-----------------|-----------|
| 7 | STEEL BALL | 1 | STAINLESS | Natural |
| 6 | SPRING | 1 | STAINLESS | Natural |
| 5 | CONTACT CLIP | 1 | PHOSPHOR BRONZE | Ag-plated |
| 4 | TERMINAL | 4 | BRASS | Ag-plated |
| 3 | BASE | 1 | PHENOLIC RESIN | Natural |
| 2 | FRAME | 1 | SPCC | Ni-Plated |
| 1 | KNOB | 1 | POM | Black |

| ITEM NO. | DESCRIPTION | DRAWN | DATE |
|----------|-------------|-------|--------|
| 3 | 新增SPEC | Jack | 112014 |
| 2 | 更新材質 | Jack | 040214 |
| 1 | 更新尺寸6.0改5.8 | Jack | 031714 |

CONTACT 建倚科技股份有限公司
CONTACT TECHNOLOGY CORP.

TOLERANCE UNLESS OTHERWISE STATED:
 Up to 5 ±0.2
 Above 5 ~ 15 ±0.3
 Above 15 ~ 30 ±0.4
 Above 30 ~ 50 ±0.5
 Angle ±0.3

3RD. ANGEL'S

UNITS MM

| | | | | |
|--------------|----------|-----------|----------|------------------|
| DRAWN BY: | DATE | MAT'L | TITLE | SWITCH |
| Jack Lu | 11/20/14 | | MODLE | SLIDE SWITCH |
| CHECKED BY: | DATE | FINISH | SCALE | 1 : 1 |
| Jacky Chen | 11/20/14 | | DWG NO. | SS-13F06-Gx-S191 |
| APPROVED BY: | DATE | SHEET NO. | PART NO. | SS-13F06-Gx-S191 |
| Tony Kao | 11/20/14 | 1 of 1 | | |

SIZE A4
VER R3