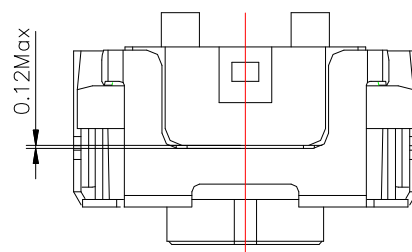
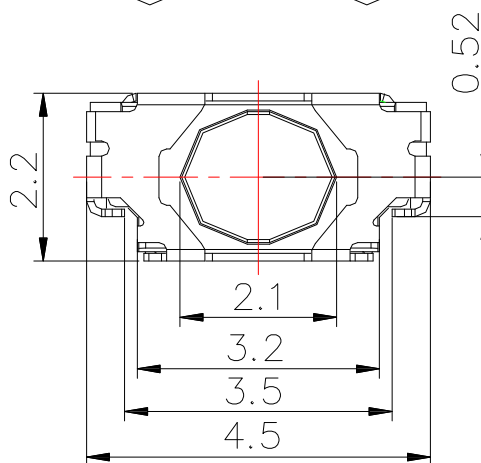


P.C.B LAYOUT



CIRCUIT DIAGRAM



SPECIFICATIONS

Rating	DC 12V 50mA
Contact Resistance	500mΩ Max.
Insulation Resistance	100MΩ
Dielectric Strength	AC 100V 1 minute
Operating Force	220 ± 70gf
Operating Life (cycles)	600,000

CONTACT 建倚科技股份有限公司
CONTACT TECHNOLOGY CORP.

TOLERANCE UNLESS OTHERWISE STATED:
 Up to 5 ±0.2
 Above 5 ~ 15 ±0.3
 Above 15 ~ 30 ±0.4
 Above 30 ~ 50 ±0.5
 Angle ±0.3

3RD. ANGEL'S

UNITS MM

DRAWN BY: Jack Lu
 CHECKED BY: Jacky Chen
 APPROVED BY: Tony Kao

DATE: 05/23/18
 DATE: 05/23/18
 DATE: 05/23/18

MAT'L		TITLE	SWITCH
FINISH		MODLE	TACT SWITCH
SCALE	1 : 1	DWG NO.	TS-A35C-3-S138
SHEET NO.	1 of 1	PART NO.	TS-A35C-3-S138
		SIZE	A4
		VER	R

ITEM NO.	DESCRIPTION	DRAWN	DATE