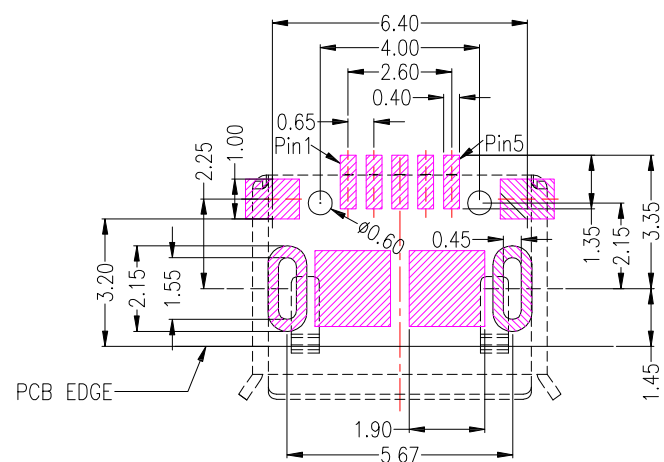
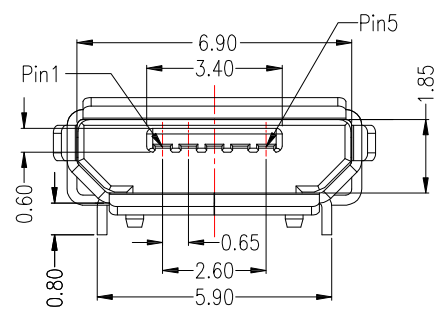
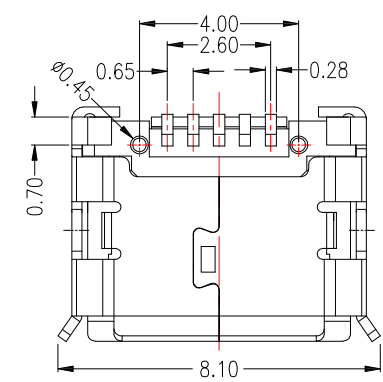
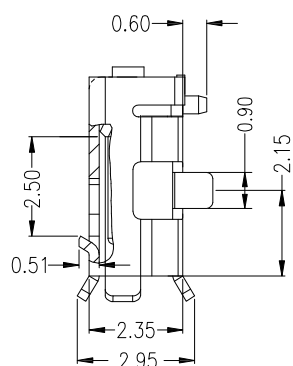
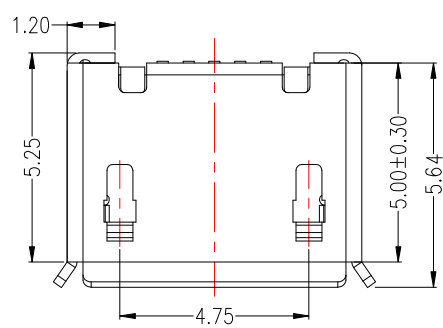
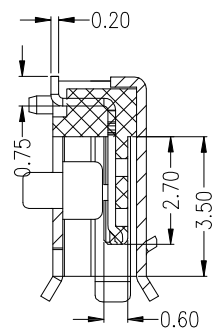
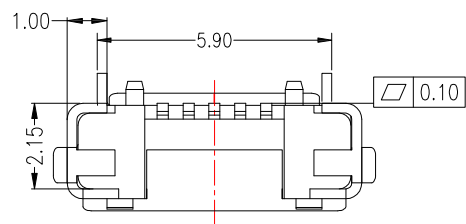




MRUSB-5B-ED5x-S347

SHELL 鍍層:

TN
NI



P.C.B LAYOUT MOUNTING PATTERN

NOTES:

MATERIAL:

- 1.1 HOUSING: LCP, UL94V-0
- 1.2 CONTACT: PHOSPHOR BRONZE
- 1.3 SHELL: BRASS

Finish:

- 2.1 CONTACT: PLATED GOLD IN MATING AREA ;
GOLD PLATED ON SOLDER BALLS ;
NICKEL UNDER PLATED OVERALL
- 2.2 SHELL: NICKEL UNDER PLATED SURFACE LAYER OR
TIN UNDER PLATED SURFACE LAYER

3.SPECIFICATION:

- 3.1 CURRENT RATING: 1.0 A MAX
- 3.2 DIELECTRIC WITHSTANDING VOLTAGE: 100 V(ac) FOR 1min
- 3.3 CONTACT RESISTANCE: 30 mΩ MAX.
- 3.4 INSULATION RESISTANCE: 100 MΩ MAX.
- 3.5 TOTAL MATING FORCE: 3.57 Kgf MAX.
- 3.6 TOTAL UNMATING FORCE: 1.0 Kgf MIN.
- 3.7 TEMPERATURE RANGE: -30°C ~ +80°C

CONTACT 建倚科技股份有限公司
CONTACT TECHNOLOGY CORP.

TOLERANCE UNLESS OTHERWISE STATED:
 Up to 5 ±0.2
 Above 5 ~ 15 ±0.3
 Above 15 ~ 30 ±0.4
 Above 30 ~ 50 ±0.5
 Angle ±0.3

3RD. ANGEL'S



UNITS MM

DRAWN BY:	DATE	MAT'L	TITLE	CONNECTOR
Jack Lu	04/01/19			
CHECKED BY:	DATE	FINISH	MODLE	MICRO USB 前插5.65 後貼,有柱
Jacky Chen	04/01/19			
APPROVED BY:	DATE	SCALE	DWG NO.	MRUSB-5B-ED5x-S347
Tony Kao	04/01/19	1 : 1	PART NO.	MRUSB-5B-ED5x-S347
		SHEET NO.	1 of 1	
				SIZE A4
				VER R3

3	更新樣式	Jack	040119
2	更新為AO版	Jack	060617
1	更新PIN長度	Jack	060217
ITEM NO.	DESCRIPTION	DRAWN	DATE