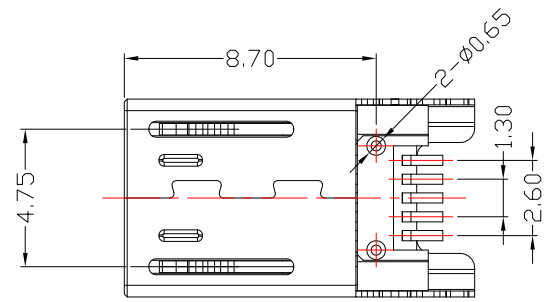


P.C.B LAYOUT MOUNTING PATTERN



SPECIFICATION:

1. RATING: 1.0 A , 30VAC
2. DIELECTRIC WITHSTANDING VOLTAGE: 100 VAC FOR 1min
3. CONTACT RESISTANCE: 30 mΩ MAX.
4. INSULATION RESISTANCE: 100 MΩ MIN.
5. LIFE: 5,000 CYCLES
6. TEMPERATURE RANGE: -30°C ~ +80°C

CONTACT 建倚科技股份有限公司
CONTACT TECHNOLOGY CORP.

TOLERANCE UNLESS OTHERWISE STATED:
Up to 5 ±0.2
Above 5 ~ 15 ±0.3
Above 15 ~ 30 ±0.4
Above 30 ~ 50 ±0.5
Angle ±0.3°

3RD. ANGEL'S

UNITS MM

DRAWN BY:	DATE	MAT'L	TITLE	CONNECTOR
Jack Lu	05/19/17		MODLE	MICRO USB 5 P 公頭貼板反向
CHECKED BY:	DATE	FINISH	SCALE	1 : 1
Jacky Chen	05/19/17		DWG NO.	MRUSB-5PLM5-S235
APPROVED BY:	DATE	SHEET NO.	PART NO.	MRUSB-5PLM5-S235
Tony Kao	05/19/17	1 of 1		

ITEM NO.	DESCRIPTION	DRAWN	DATE