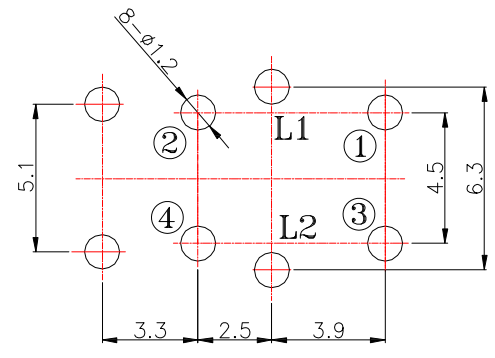
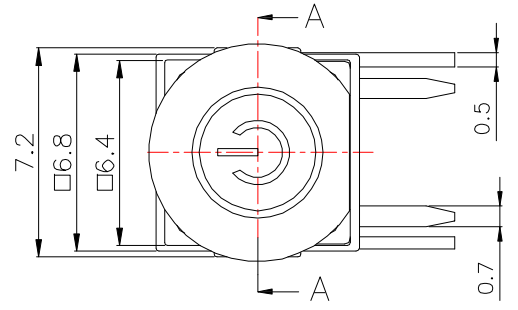




TS-xx-C0-Fx-RL3-S313



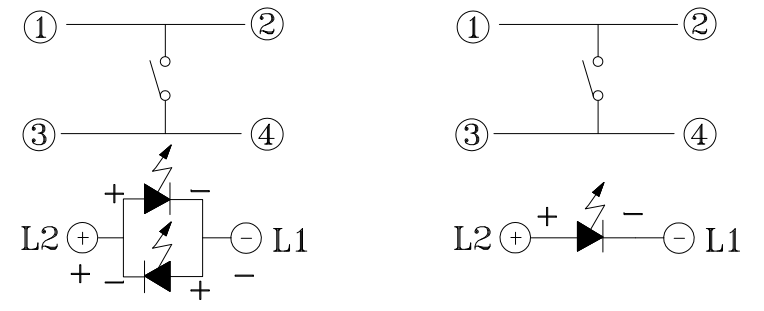
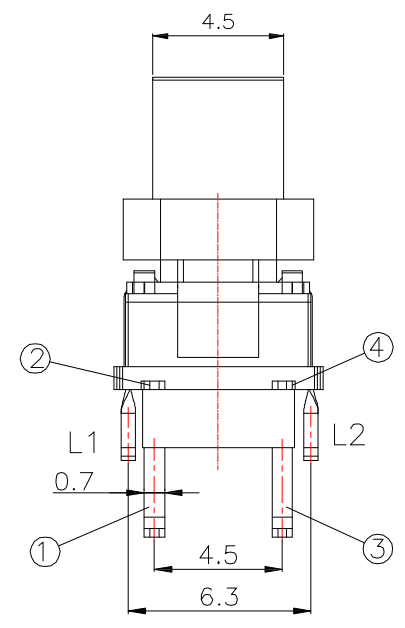
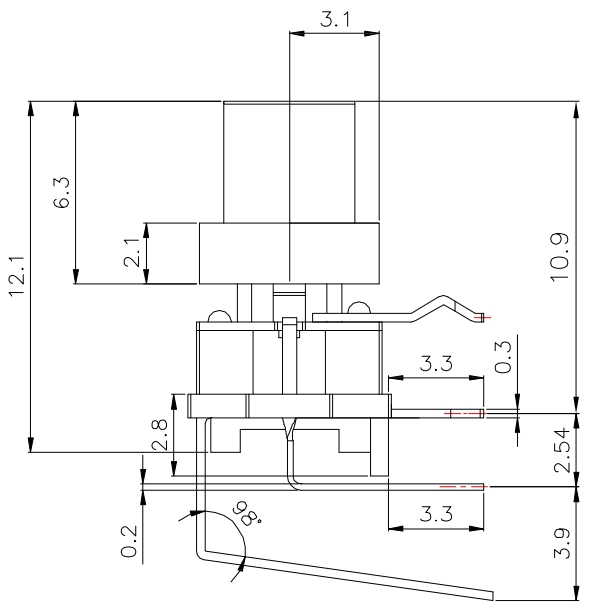
P.C.B LAYOUT

COLOR OF LED

0	Without	1	Red
2	Green	3	Orange
4	Yellow	7	Blue
8	White		

CAP Color

0	Without	1	Red
2	Green	3	Yellow
4	Ivory	5	Gray
6	Black		



CIRCUIT DIAGRAM

6	LED	1		
5	CONTACT	1	PHOSPHOR BRONZE	Ag plated
4	TERMINAL	1	BRASS	Ag plated
3	BASE	1	PA66	Black
2	COVER	1	PET	Natural
1	KNOB	1	PA66	White
NO.	DESCRIPTION	QTY	MATERIAL	PLATING

CONTACT 建倚科技股份有限公司
CONTACT TECHNOLOGY CORP.

TOLERANCE UNLESS OTHERWISE STATED:
 Up to 5 ±0.2
 Above 5 ~ 15 ±0.3
 Above 15 ~ 30 ±0.4
 Above 30 ~ 50 ±0.5
 Angle ±0.3

3RD. ANGEL'S

UNITS MM

DRAWN BY:	DATE	MAT'L	TITLE	SWITCH
Jack Lu	11/08/19			
CHECKED BY:	DATE	FINISH	MODLE	TACT SWITCH WITH LED
Jacky Chen	11/08/19			
APPROVED BY:	DATE	SCALE	DWG NO.	TS-xx-C0-Fx-RL3-S313
Tony Kao	11/08/19	1 : 1		
		SHEET NO.	PART NO.	TS-xx-C0-Fx-RL3-S313
		1 of 1		

3	更新CIRCUIT	Jack	110819
2	新增尺寸	Jack	022118
1	更新CIRCUIT	Jack	061417
ITEM NO.	DESCRIPTION	DRAWN	DATE