



SBC-241PL16-31x-S271

鍍層厚度:

Blank : 1u"
2 : 15u"
3 : 30u"

SPECIFICATIONS

Electrical:

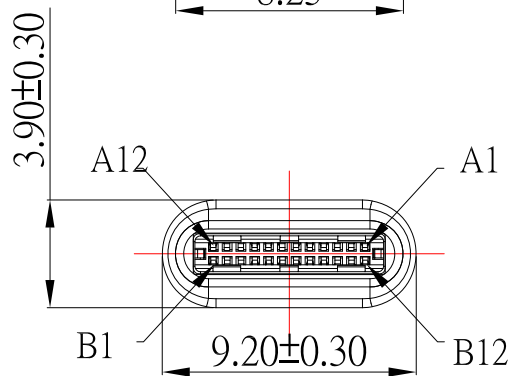
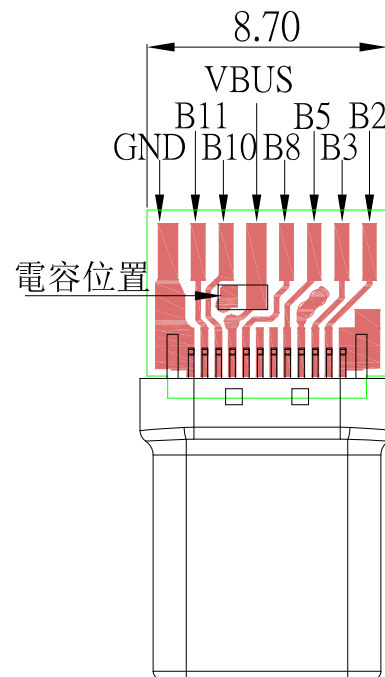
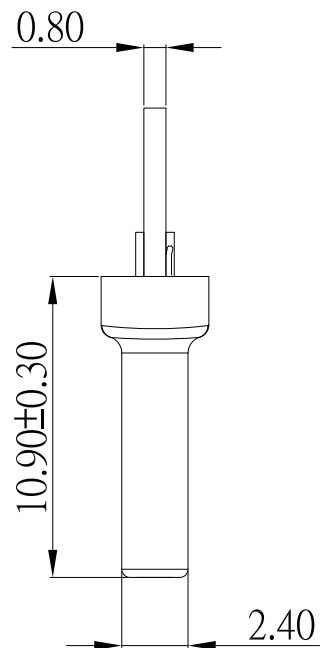
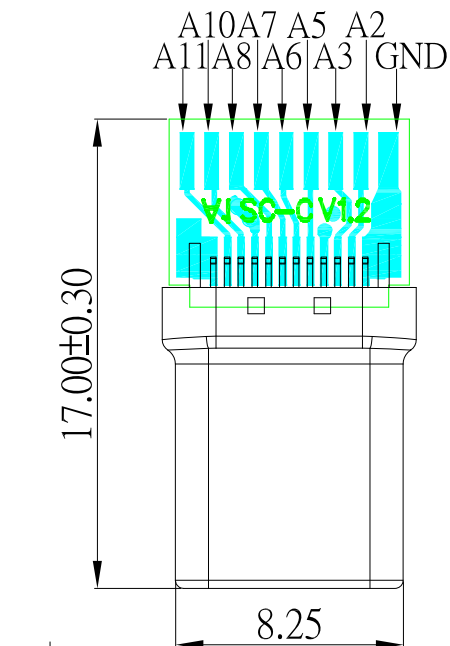
1. Rating: 3.0A
2. Contact Resistance: 40 mΩ Max
3. Insulation Resistance: 100 MΩ Min
4. Dielectric Withstanding Voltage: 100V AC

Material:

1. Housing: LCP
2. Contact: C7025
3. Shell: SUS

Finish:

1. Contact: Plated Gold in Mating Area ;
Tin Plated on Solder Balls ;
Nickel under plated overall
2. Shell: Nickel under Plated surface layer



A4, B4, A9, B9	— Vbus
B11	— RX1+
B10	— RX1-
B8	— SBU2
B5	— CC2
B3	— TX2-
B2	— TX2+
A11	— RX2+
A10	— RX2-
A8	— SBU1
A7	— D-
A6	— D+
A5	— CC1
A3	— TX1-
A2	— TX1+
A1, B1, A12, B12	— GND

CONTACT 建倚科技股份有限公司
CONTACT TECHNOLOGY CORP.

TOLERANCE UNLESS OTHERWISE STATED:
Up to 5 ±0.2
Above 5 ~ 15 ±0.3
Above 15 ~ 30 ±0.4
Above 30 ~ 50 ±0.5
Angle ±0.3

3RD. ANGEL'S



UNITS MM

DRAWN BY:	DATE
Jack Lu	11/23/22
CHECKED BY:	DATE
Jacky Chen	11/23/22
APPROVED BY:	DATE
Tony Kao	11/23/22

MATL		TITLE	CONNECTOR
FINISH		MODLE	USB 3.1 TYPE C 公頭拉伸帶板 帶帶電容10nF L 10.9
SCALE	1 : 1	DWG NO.	SBC-241PL16-31x-S271
SHEET NO.	1 of 1	PART NO.	SBC-241PL16-31x-S271

1	更新圖面	Jack	112322
ITEM NO.	DESCRIPTION	DRAWN	DATE