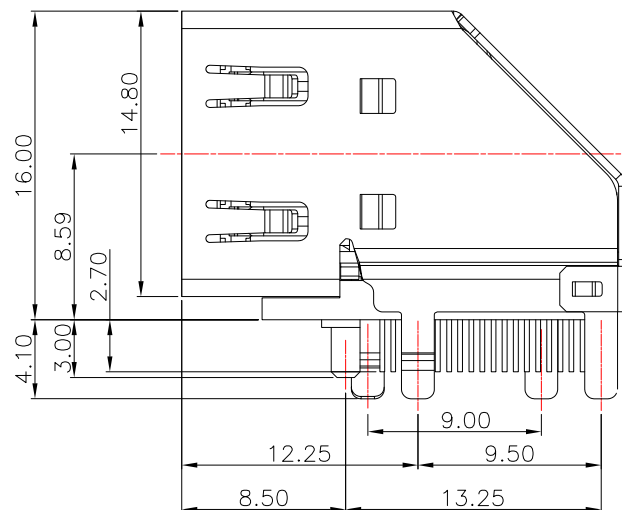
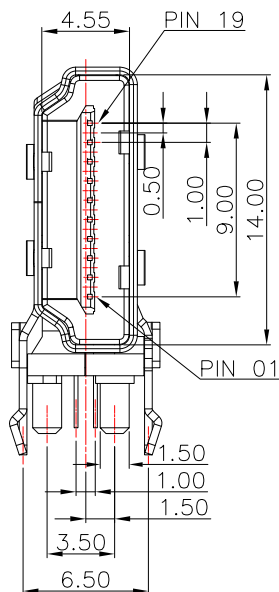


RECOMMENDED PCB LAYOUT(TOP VIEW)



NOTE:

1.MATERIAL:

- 1.1 HOUSING: LCP,UL94V-0
- 1.2 CONTACT: PHOSPHOR BRONZE
- 1.3 SHEEL: BRASS

2.PLATING :

- 2.1 CONTACT: PLATED GOLD IN MATING AREA ;
TIN PLATED ON SOLDER BALLS ;
NICKEL UNDER PLATED OVERALL
- 2.2 SHELL: NICKEL UNDER PLATED SURFACE LAYER

5	更新料號	Jack	042018
4	更新材質及鍍層	Jack	060617
3	新增尺寸	Jack	042617
2	新增PCB LAYOUT中PIN編號	Jack	042517
1	更新料號	Jack	022217
ITEM NO.	DESCRIPTION	DRAWN	DATE

CONTACT 建倚科技股份有限公司
CONTACT TECHNOLOGY CORP.

TOLERANCE UNLESS OTHERWISE STATED	Up to 5 ±0.2	Above 5 ~ 15 ±0.3	Above 15 ~ 30 ±0.4	Above 30 ~ 50 ±0.5	Angle ±0.3
	3RD. ANGEL'S	UNITS	MM		

DRAWN BY:	DATE	MAT'L	TITLE	CONNECTOR
Jack Lu	04/20/18			
CHECKED BY:	DATE	FINISH	MODLE	HDMI A/F 側插
Jacky Chen	04/20/18			
APPROVED BY:	DATE	SCALE	DWG NO.	HDMI-19PF-P1-S277
Tony Kao	04/20/18	1 : 1		
		SHEET NO.	PART NO.	HDMI-19PF-P1-S277
		1 of 1		
				SIZE A4
				VER R5