



SUA-110H29x-x-S236

SHELL :	COLOR :
Blank : BRASS	Black : B
I : SPCC	White : W

SPECIFICATIONS

Electrical:

- 1. Rating: 30V AC ; 1.5A
- 1. Contact Resistance: 30 mΩ Max
- 2. Dielectric Withstanding Voltage: 500 V AC
- 3. Insulation Resistance: 1,000 MΩ Min

Mechanical:

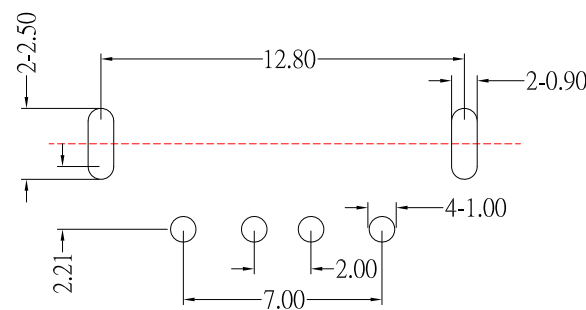
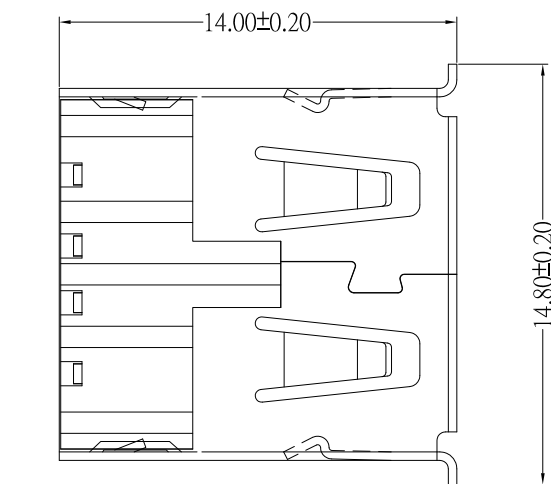
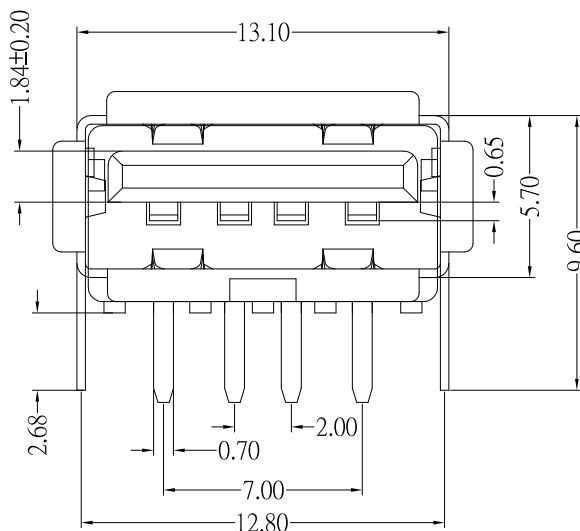
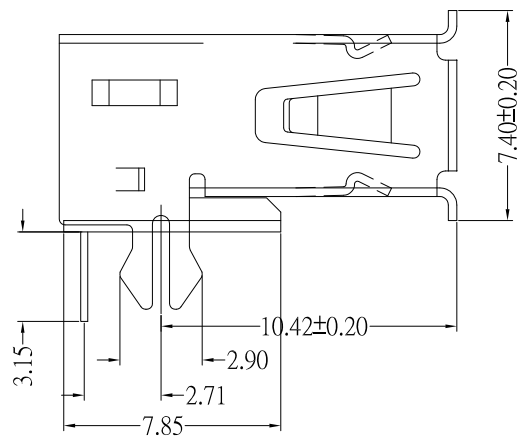
- 1. Connector Mate and Unmate Force
 - 1.1 Mate force: 3.57 Kgf (Max)
 - 1.2 Unmate force: 1.02Kg (Min)

Material:

- 1. Housing: PBT
- 2. Contact: Brass
- 3. Shell: Brass / SPCC

Finish:

- 1. Contact: Plated Gold in Mating Area ;
Tin Plated on Solder Balls ;
Nickel under plated overall
- 2. Shell: Nickel under Plated surface layer



P.C.B LAYOUT MOUNTING PATTERN

CONTACT 建倚科技股份有限公司
CONTACT TECHNOLOGY CORP.

TOLERANCE UNLESS OTHERWISE STATED:
Up to 5 ±0.2
Above 5 ~ 15 ±0.3
Above 15 ~ 30 ±0.4
Above 30 ~ 50 ±0.5
Angle ±0.3°

3RD. ANGEL'S



UNITS MM

DRAWN BY: Jack Lu
CHECKED BY: Jacky Chen
APPROVED BY: Tony Kao
DATE: 08/28/20

MATL		TITLE	CONNECTOR
FINISH		MODLE	USB A/F 90度 魚叉腳 無後蓋
SCALE	1 : 1	DWG NO.	SUA-110H29x-x-S236
SHEET NO.	1 of 1	PART NO.	SUA-110H29x-x-S236

ITEM NO.	DESCRIPTION	DRAWN	DATE