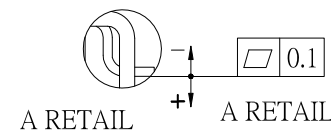
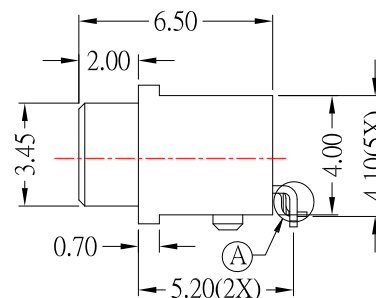


Waterproof Level : IPX 7

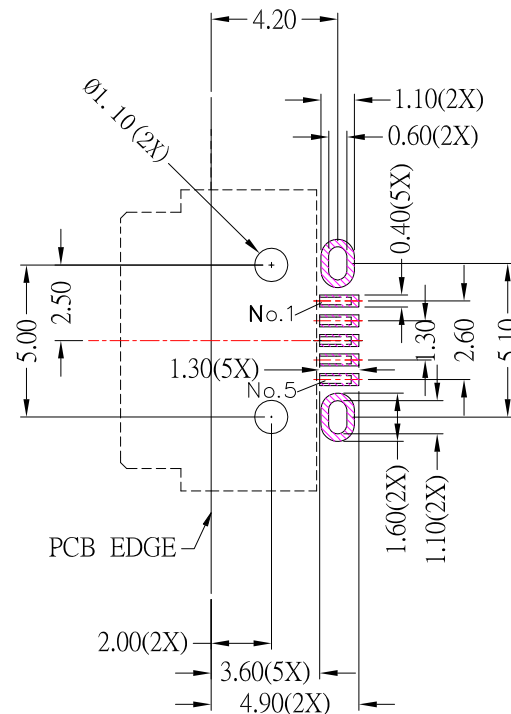
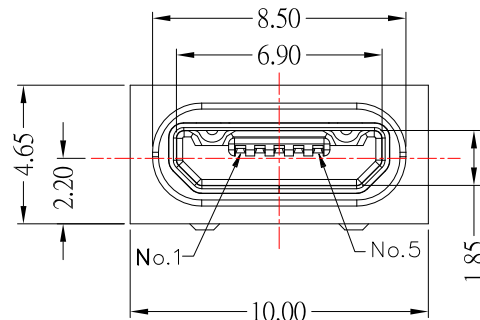


Material:

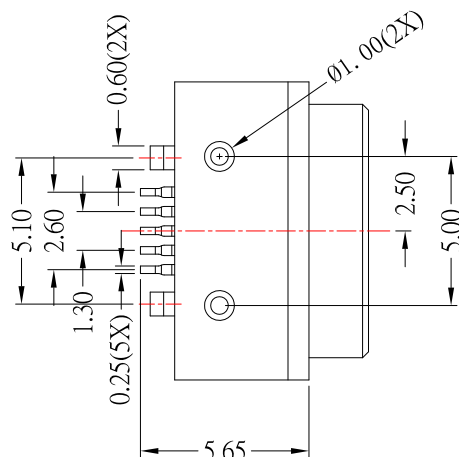
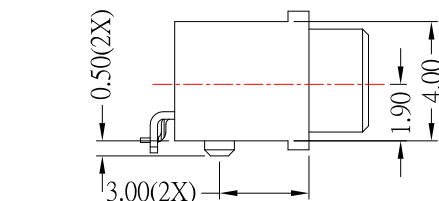
- 1.Housing: PA10T
- 2.Contact: Phosphor Bronze
- 3.Shell: SUS
- 4.Cover: LCP

Finish:

- 1.Contact: Plated Gold in Mating Area ;
Gold Plated on Solder Balls
Nickel under plated overall
- 2.Shell: Nickel under Plated surface layer



PCB LAYOUT MOUNTING PATTERN
TOP VIEW



建倚科技股份有限公司
CONTACT TECHNOLOGY CORP.

TOLERANCE UNLESS OTHERWISE STATED :

Up to 5 ±0.2
Above 5 ~ 15 ±0.3
Above 15 ~ 30 ±0.4
Above 30 ~ 50 ±0.5
Angle ±0.3°

3RD. ANGEL'S



UNITS

MM

DRAWN BY: Jack Lu
CHECKED BY: Jacky Chen
APPROVED BY: Tony Kao

DATE: 11/24/16
DATE: 11/24/16
DATE: 11/24/16

MAT'L
FINISH
SCALE: 1 : 1
SHEET NO.: 1 of 1

TITLE: CONNECTOR
MODLE: MICRO USB B TYPE SMT 防水型
DWG NO.: MRUSB-5B-WP2-S052
PART NO.: MRUSB-5B-WP2-S052

SIZE: A4
VER: A1

ITEM NO.	DESCRIPTION	DRAWN	DATE
2	更新材質	Jack	112416
1	更新為A0版	Jack	032816