



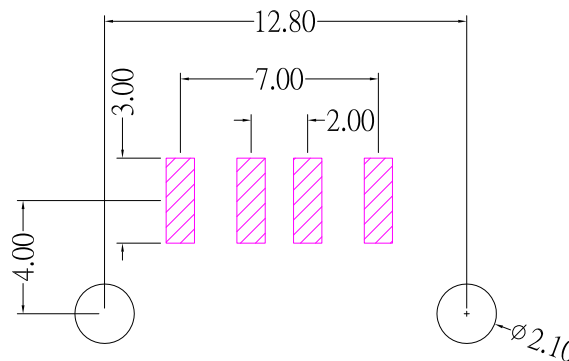
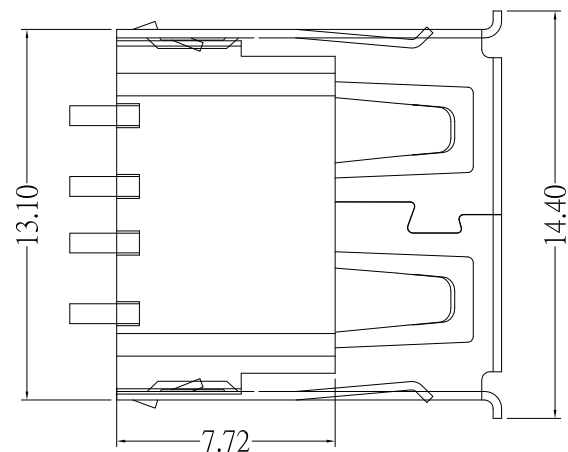
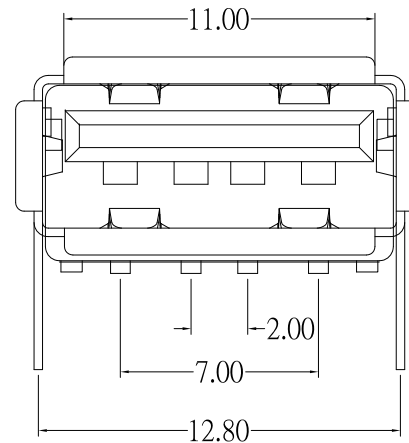
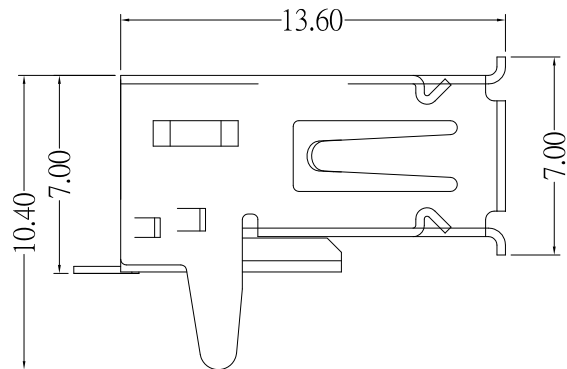
# SUA-110M22Bx-x-S236

Shell Material :

- Blank : BRASS
- I : SPCC

Color :

- White : W
- Black : B



P.C.B LAYOUT

## SPECIFICATIONS

### Electrical:

- 1.Contact Resistance: 30 mΩ Max
- 2.Insulation Resistance: 1,000 MΩ Min
- 3.Dielectric Withstanding Voltage: 500V AC

### Material:

- 1.Housing: LCP
- 2.Contact: Phosphor Bronze
- 3.Shell: Brass / Spcc

### Finish:

- 1.Contact: Plated Gold in Mating Area ;  
Tin Plated on Solder Balls ;  
Nickel under plated overall
- 2.Shell: Nickel under Plated surface layer

ITEM NO.	DESCRIPTION	DRAWN	DATE

**CONTACT** 建倚科技股份有限公司  
CONTACT TECHNOLOGY CORP.

TOLERANCE UNLESS OTHERWISE STATED :  
 Up to 5 ±0.2  
 Above 5 ~ 15 ±0.3  
 Above 15 ~ 30 ±0.4  
 Above 30 ~ 50 ±0.5  
 Angle ±0.3°

3RD. ANGEL'S



UNITS MM

DRAWN BY:	DATE	MATL	TITLE	CONNECTOR
Jack Lu	04/18/19			
CHECKED BY:	DATE	FINISH	MODLE	USB 2.0 AF R/A SMT 外殼直腳 無後蓋
Jacky Chen	04/18/19			
APPROVED BY:	DATE	SCALE	DWG NO.	SUA-110M22Bx-x-S236
Tony Kao	04/18/19	1 : 1	PART NO.	SUA-110M22Bx-x-S236
		SHEET NO.	1 of 1	

SIZE
A4
VER
R