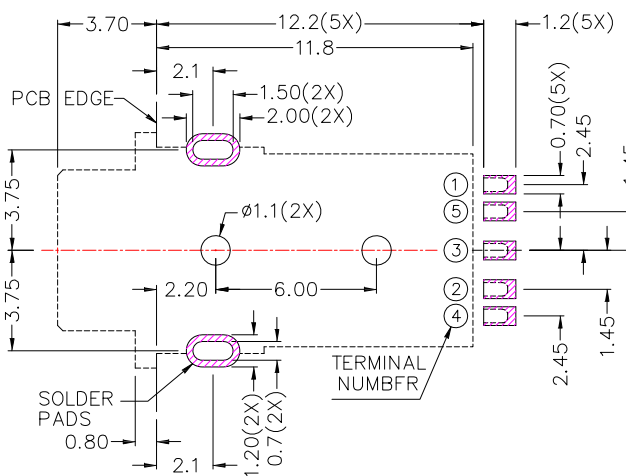
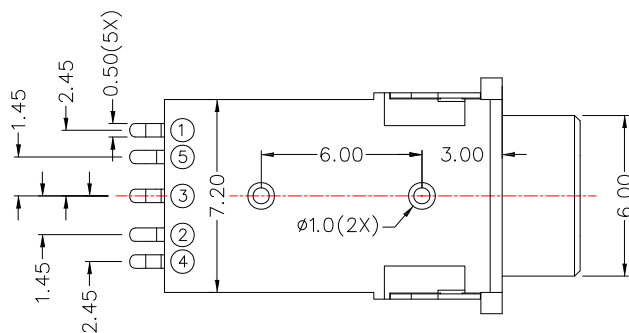


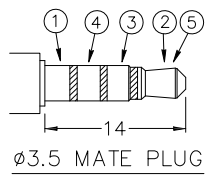
SPECIFICATION

1. Rating : DC 12V 1.0A
2. Contact resistance : $\leq 50m\Omega$
3. Insulation resistance : $\geq 100M\Omega$
4. Withstand voltage : 500VAC
5. Insertion and extraction force : 3-30N
6. life test : 5,000 cycles
7. Waterproof Level: IPX7



***MATERIAL**

- TERMINAL 1 : PHOSPHOR BRONZE
- TERMINAL 2 : PHOSPHOR BRONZE
- TERMINAL 3 : PHOSPHOR BRONZE
- TERMINAL 4 : PHOSPHOR BRONZE
- TERMINAL 5 : PHOSPHOR BRONZE
- SHIELD : BRASS
- HOUSING : PA6T
- COVER : PA6T



MODEL NO.	PJ-WP3001DS
SCHMATIC	

CONTACT 建倚科技股份有限公司
CONTACT TECHNOLOGY CORP.

TOLERANCE UNLESS OTHERWISE STATED :
 Up to 5 ±0.2
 Above 5 ~ 15 ±0.3
 Above 15 ~ 30 ±0.4
 Above 30 ~ 50 ±0.5
 Angle ±0.3

3RD. ANGEL'S



UNITS MM

DRAWN BY:	DATE	MAT'L	TITLE	JACK
Jack Lu	01/08/16			
CHECKED BY:	DATE	FINISH	MODLE	3.5mm PHONE JACK 防水型
Jacky Chen	01/08/16			
APPROVED BY:	DATE	SCALE	DWG NO.	PJ-WP30015DS
Tony Kao	01/08/16	1 : 1		
		SHEET NO.	PART NO.	PJ-WP30015DS
		1 of 1		
				SIZE A4
				VER R1

ITEM NO.	DESCRIPTION	DRAWN	DATE
1	新增SPEC	Jack	010816