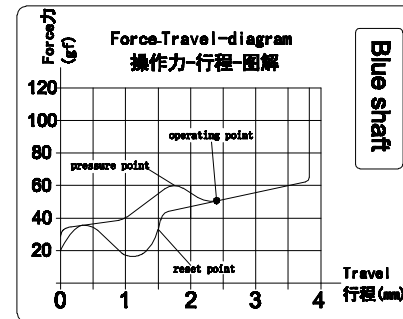
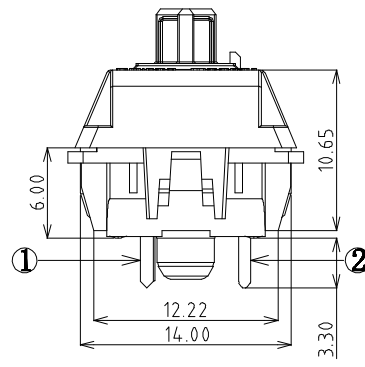
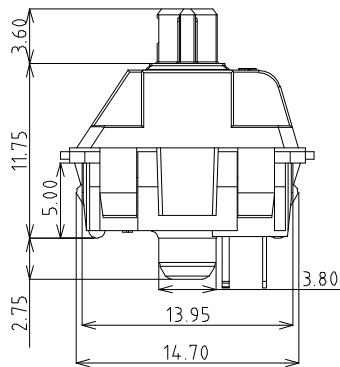
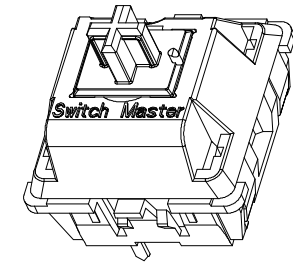
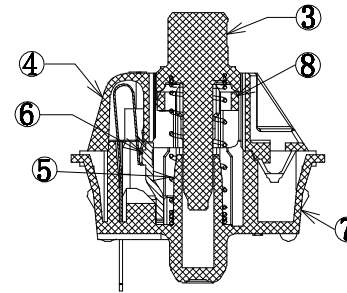
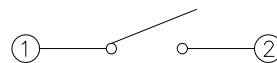
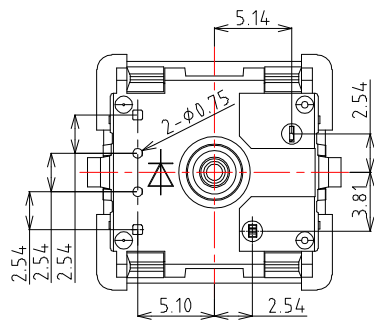


PCB Layout (Pattern Side)



Specification :

- 1. Rating : 12 VAC/DC max. 2 VDC min. 10mA AC/DC max. 10  $\mu$ A DC min.
- 2. Contact Resistance : 200m $\Omega$  Max
- 3. Insulation Resistance : 100M $\Omega$  Min (DC100V)
- 4. Withstand Voltage : AC500V (50-60Hz) for 1 minute
- 5. Bounce Time:  $\leq$ 5msec (at 16 in/sec. actuation speed)
- 6. Operation Force : 50 $\pm$ 15gf
- 7. Pressure Point Force : 60 $\pm$ 15gf
- 8. Pretravel: 2.0mm $\pm$ 0.4mm
- 9. Total travel: 4.0+0/-0.3mm
- 10. Operating Life : 50,000,000 Cycles (min)
- 11. Protection class: IP40



Circuit Diagram

⑧	Follower	—	1	POM	White	—
⑦	Base	—	1	Nylon	Black	—
⑥	contact	—	2	Silver alloy	Brushing Gold	—
⑤	Spring	—	1	Stainless Steel	—	—
④	Cover	—	1	Nylon	Black	—
③	Keystroke	—	1	POM	Blue	—
②	Terminal	—	1	Brass	Plating Nickel	—
①	Reed	—	1	Copper Alloy	—	—
ITEM	PART NAME	TER'NO.	QTY.	MATERIAL	FINISHING	REMARK

**CONTACT** 建倚科技股份有限公司  
CONTACT TECHNOLOGY CORP.

TOLERANCE UNLESS OTHERWISE STATED :  
 Up to 5 ±0.2  
 Above 5 ~ 15 ±0.3  
 Above 15 ~ 30 ±0.4  
 Above 30 ~ 50 ±0.5  
 Angle ±0.3

3RD. ANGEL'S

UNITS MM

DRAWN BY:	DATE	MAT'L	TITLE
Jack Lu	12/16/15		SWITCH
CHECKED BY:	DATE	FINISH	MODLE
Jacky Chen	12/16/15		Keyboard Switch / Blue Shaft
APPROVED BY:	DATE	SCALE	DWG NO.
Tony Kao	12/16/15	1 : 1	KS-01C-50-S105
		SHEET NO.	PART NO.
		1 of 1	KS-01C-50-S105
			SIZE
			A4
			VER
			R1

1	更新MODLE	Jack	121615
ITEM NO.	DESCRIPTION	DRAWN	DATE