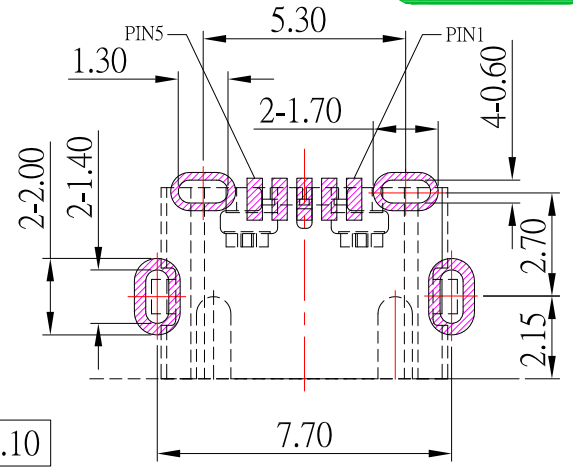
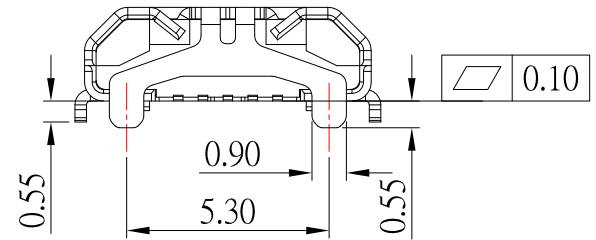
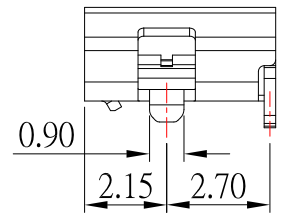
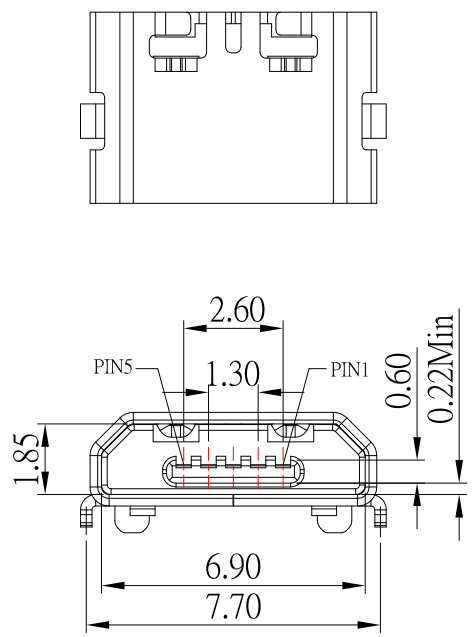




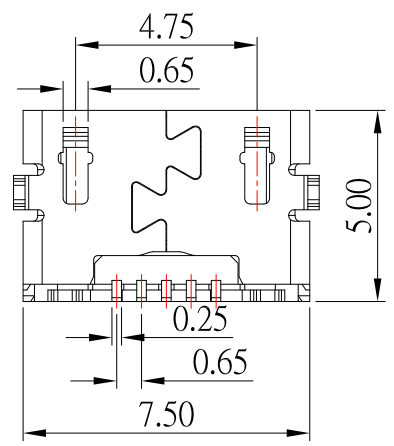
# MRUSB-5B-RV4x-S331

SHELL 鍍層:

TN
NI



P.C.B LAYOUT MOUNTING PATTERN



5	GND
4	ID
3	D+
2	D-
1	VBUS
PIN	NAME
PIN ASSIGNMENT	

NOTES:

MATERIAL:

- 1.1 HOUSING: PA10T,UL94V-0 ,Black
- 1.2 CONTACT: BRASS
- 1.3 SHELL: SUS

Finish:

- 2.1 Contact: Plated Gold in Mating Area ;  
Gold Plated on Solder Balls  
Nickel under plated overall
- 2.2 Shell: Nickel under Plated surface layer or  
Tin under Plated surface layer

3.SPECIFICATION:

- 3.1 RATING: 30V AC , 1.8 A MAX
- 3.2 DIELECTRIC WITHSSTANDING VOLTAGE: 250 VAC
- 3.3 CONTACT RESISTANCE: 30 mΩ MAX.
- 3.4 INSULATION RESISTANCE: 100 MΩ MIN.
- 3.5 TEMPERATURE RANGE: -30°C ~ +85°C

8	新增PIN定義	Jack	031924
7	更新pcb layout	Jack	120220
6	新增PIN編號	Jack	071818
5	更新尺寸	Jack	031417
4	更新為AO版	Jack	011717
3	新增pcb layout尺寸	Jack	052716
2	更新材質	Jack	030916
1	更新SPEC	Jack	012616
ITEM NO.	DESCRIPTION	DRAWN	DATE

**CONTACT** 建倚科技股份有限公司  
CONTACT TECHNOLOGY CORP.

TOLERANCE UNLESS OTHERWISE STATED:

Up to 5	±0.2
Above 5 ~ 15	±0.3
Above 15 ~ 30	±0.4
Above 30 ~ 50	±0.5
Angle	±0.3°

3RD. ANGEL'S

DRAWN BY:	DATE	MAT'L	TITLE	CONNECTOR
Jack Lu	03/19/24			
CHECKED BY:	DATE	FINISH	MODLE	MICRO USB 反向平口 外殼4 腳插板 (PH:7.7-5.3mm)
Jacky Chen	03/19/24			
APPROVED BY:	DATE	SCALE	DWG NO.	MRUSB-5B-RV4x-S331
Tony Kao	03/19/24	1 : 1		
		SHEET NO.	PART NO.	MRUSB-5B-RV4x-S331
		1 of 1		
			SIZE	A4
			VER	R8