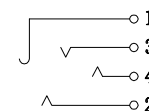
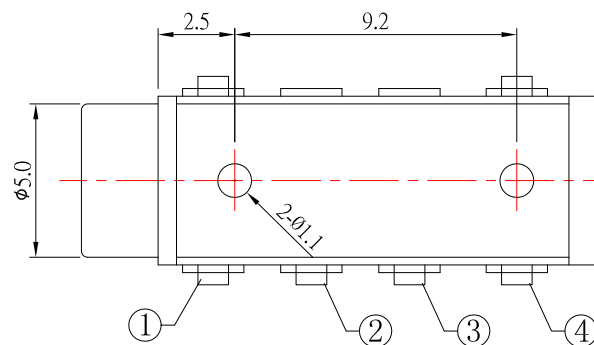
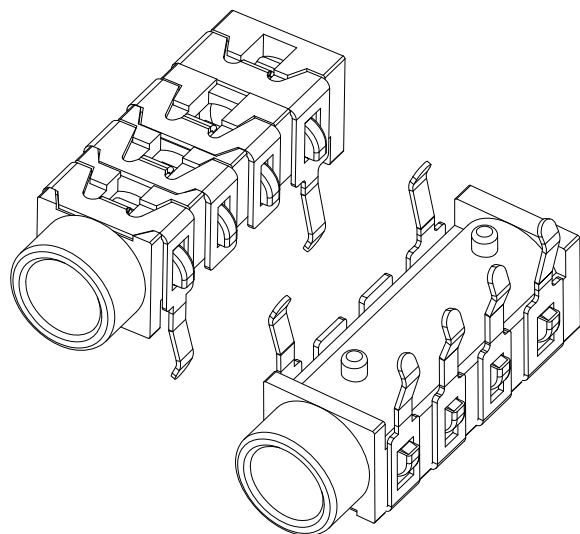


P.C.B LAYOUT  
TOP VIEW



SCHEMATIC

SPECIFICATION

1. Rating : DC 30V 1.0A
2. Contact resistance :  $\leq 30m\Omega$
3. Insulation resistance :  $\geq 100M\Omega$
4. Withstand voltage : 500VAC
5. Insertion and extraction force : 3-20N
6. Life test : 5,000 cycles

|     |              |     |          |            |
|-----|--------------|-----|----------|------------|
| 5   | HOUSING      | 1   | PBT      |            |
| 4   | CONTACT FOOT | 1   | SUS301   | Sn-Plating |
| 3   | CONTACT FOOT | 1   | SUS301   | Sn-Plating |
| 2   | CONTACT FOOT | 1   | SUS301   | Sn-Plating |
| 1   | CONTACT FOOT | 1   | SUS301   | Sn-Plating |
| NO. | DESCRIPTION  | QTY | MATERIAL | PLATING    |

**CONTACT** 建倚科技股份有限公司  
CONTACT TECHNOLOGY CORP.

TOLERANCE UNLESS OTHERWISE STATED :  
 Up to 5 ±0.2  
 Above 5 ~ 15 ±0.3  
 Above 15 ~ 30 ±0.4  
 Above 30 ~ 50 ±0.5  
 Angle ±0.3

3RD. ANGEL'S



UNITS MM

|              |          |           |          |                |
|--------------|----------|-----------|----------|----------------|
| DRAWN BY:    | DATE     | MAT'L     | TITLE    | JACK           |
| Jack Lu      | 06/26/14 |           | MODLE    | PHONE JACK     |
| CHECKED BY:  | DATE     | SCALE     | DWG NO.  | PJ-D3013B-S125 |
| Jacky Chen   | 06/26/14 | 1 : 1     | PART NO. | PJ-D3013B-S125 |
| APPROVED BY: | DATE     | SHEET NO. | 1 of 1   |                |
| Tony Kao     | 06/26/14 |           |          |                |

|          |             |       |      |
|----------|-------------|-------|------|
| ITEM NO. | DESCRIPTION | DRAWN | DATE |
|          |             |       |      |
|          |             |       |      |
|          |             |       |      |