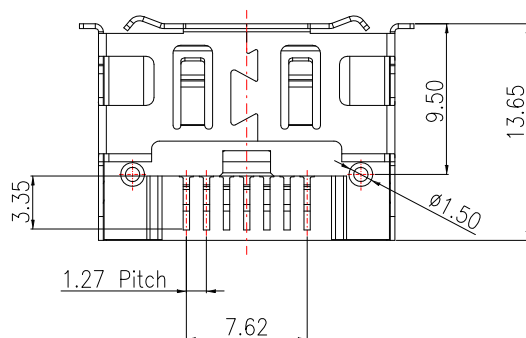
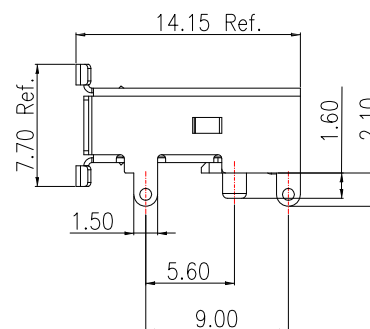
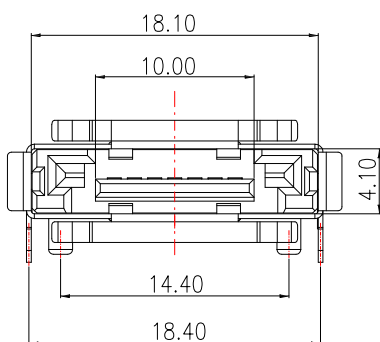


RECOMMENDED PCB LAYOUT



EST-M07-535S-x-S268

鍍層厚度:

| | |
|-------|--------|
| Blank | : 1u" |
| 2 | : 15u" |
| 3 | : 30u" |

SPECIFICATION:

1.MATERIAL:

HOUSING: LCP, UL 94V-0, Black.

CONTACT: BRASS

SHELL: BRASS

2.Finish:

Contact: Plated Gold in Mating Area ;

Tin Plated on Solder Balls ;

Nickel under plated overall

Shell: Nickel under Plated surface layer

CONTACT 建倚科技股份有限公司
CONTACT TECHNOLOGY CORP.

TOLERANCE UNLESS
OTHERWISE STATED :

Up to 5 ±0.2
Above 5 ~ 15 ±0.3
Above 15 ~ 30 ±0.4
Above 30 ~ 50 ±0.5
Angle ±0.3°

3RD.
ANGEL'S



UNITS

MM

DRAWN BY: DATE

Jack Lu 11/18/13

CHECKED BY: DATE

Jacky Chen 11/18/13

APPROVED BY: DATE

Tony Kao 11/18/13

| | | | |
|-----------|--------|----------|----------------------------------|
| MAT'L | | TITLE | CONNECTOR |
| FINISH | | MODLE | ESATA 7P Male Front R/A DIP TYPE |
| SCALE | 1 : 1 | DWG NO. | EST-M07-535S-x-S268 |
| SHEET NO. | 1 of 1 | PART NO. | EST-M07-535S-x-S268 |

| | | | |
|----------|-------------|-------|------|
| ITEM NO. | DESCRIPTION | DRAWN | DATE |
|----------|-------------|-------|------|