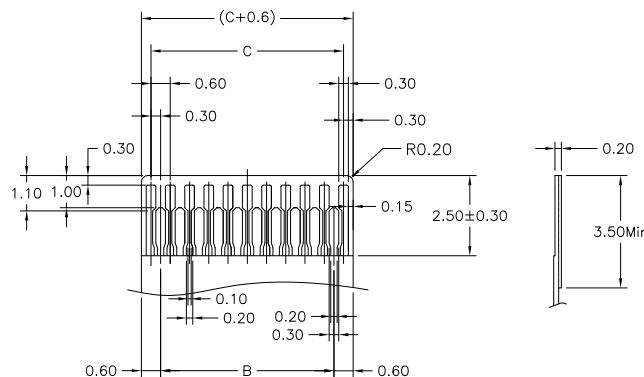


RECOMMENDED PCB LAYOUT



APPLI CABLE FPC

Number of Contacts	Dimension				
	A	B	C	D	E
13	5.40	3.00	3.60	4.30	4.90
15	6.00	3.60	4.20	4.90	5.50
17	6.60	4.20	4.80	5.50	6.10
19	7.20	4.80	5.40	6.10	6.70
21	7.80	5.40	6.00	6.70	7.30
23	8.40	6.00	6.60	7.30	7.90
25	9.00	6.60	7.20	7.90	8.50
27	9.60	7.20	7.80	8.50	9.10
29	10.20	7.80	8.40	9.10	9.70
31	10.80	8.40	9.00	9.70	10.30
33	11.40	9.00	9.60	10.30	10.90
35	12.00	9.60	10.20	10.90	11.50
37	12.60	10.20	10.80	11.50	12.10
39	13.20	10.80	11.40	12.10	12.70
41	13.80	11.40	12.00	12.70	13.30
45	15.00	12.60	13.20	13.90	14.50
49	16.20	13.80	14.40	15.10	15.70
51	16.80	14.40	15.00	15.70	16.30
57	18.60	16.20	16.80	17.50	18.10
61	19.80	17.40	18.00	18.70	19.30
67	21.60	19.20	19.80	20.50	21.10
71	22.80	20.40	21.00	21.70	22.30
73	23.40	21.00	21.60	22.30	22.90

Note:

1.Material

- 1.1: Housing: LCP, UL94-V0, Color:Black.
- 1.2: Actuator: LCP, UL94-V0, Color:Black.
- 1.3: Contact: Phosphor Bronze.
- 1.4: LEG: Brass.

2.Plating

- 2.1: Contact: Gold Plating
- 2.2: LEG: Matte Tin Plating Over Nickel.

3.Rating:

- 3.1: Operating Voltage: 30V AC/DC.
- 3.2: Current Rating: 0.2A AC/DC.
- 3.3: Operating Temperature: -55°C~+85°C.

ITEM NO.	DESCRIPTION	DRAWN	DATE
1	更新材質	Jack	082615

CONTACT 建倚科技股份有限公司
CONTACT TECHNOLOGY CORP.

TOLERANCE UNLESS OTHERWISE STATED:
Up to 5 ±0.2
Above 5 ~ 15 ±0.3
Above 15 ~ 30 ±0.4
Above 30 ~ 50 ±0.5
Angle ±0.3°

3RD. ANGEL'S



UNITS MM

DRAWN BY:	DATE
Jack Lu	08/26/15
CHECKED BY:	DATE
Jacky Chen	08/26/15
APPROVED BY:	DATE
Tony Kao	08/26/15

MAT'L	TITLE	CONNECTOR
	MODLE	0.3 FPC 掀蓋式 H:1.0
SCALE	1 : 1	DWG NO. FPC03L-10xx-B-S304
SHEET NO.	1 of 1	PART NO. FPC03L-10xx-B-S304
		SIZE A4
		VER R1