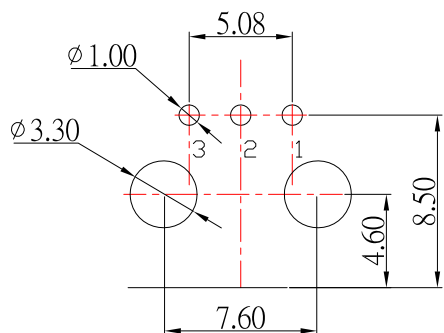
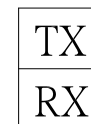


OJ-G5006B-XX3-S214



Recommended PCB Layout

SPECIFICATIONS:

1. DISSIPATION CURRENT: 5.0 mA
2. OPERATING VOLTAGE(Vcc): 2.7-5.5 V
3. INSERTION FORCE: 4.0 Max Kgs
4. EXTRACTION FORCE: 0.6 Kgs TO 4.0 Kgs
5. ENDURANCE: 500 CYCLES
6. OPERATING TEMPERATURE: -25 TO +70 °C

ITEM	DESCRIPTIONs	MATERIAL	FINISH	Q'TY	NOTE
⑥	DRIVE IC(TX UNIT)			1	13 Mbps
⑤	COIL SPRING	SUS		1	
④	GATE	PBT		1	Black
③	FRAME	PBT		1	
②	COVER	PBT		1	
①	HOUSING	PBT		1	

CONTACT 建倚科技股份有限公司
CONTACT TECHNOLOGY CORP.

TOLERANCE UNLESS OTHERWISE STATED:
 Up to 5 ±0.2
 Above 5 ~ 15 ±0.3
 Above 15 ~ 30 ±0.4
 Above 30 ~ 50 ±0.5
 Angle ±0.3

3RD. ANGEL'S

UNITS MM

DRAWN BY:	DATE	MAT'L	TITLE	JACK
Jack Lu	11/25/19			
CHECKED BY:	DATE	FINISH	MODLE	OPTICAL JACK
Jacky Chen	11/25/19			
APPROVED BY:	DATE	SCALE	DWG NO.	OJ-G5006B-XX3-S214
Tony Kao	11/25/19	1 : 1	PART NO.	OJ-G5006B-XX3-S214
		SHEET NO.	1 of 1	

ITEM NO.	DESCRIPTION	DRAWN	DATE
2	新增傳輸代碼	Jack	112519
1	更新料號	Jack	070116