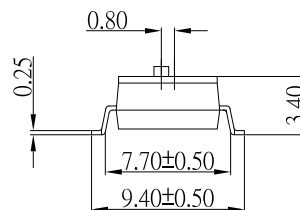
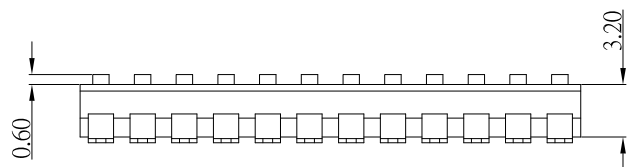
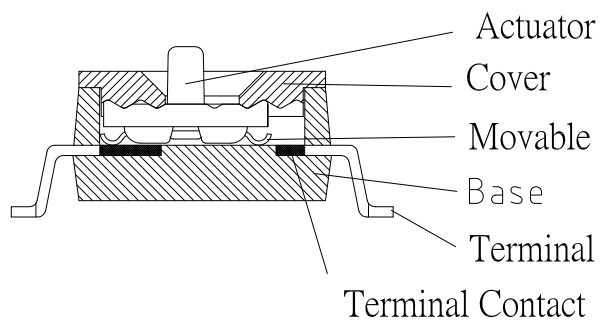


P.C.B LAYOUT MOUNTING PATTERN

SCHEMATIC



DSIC_{xx}LSGEx
 PIN數選項(N) ———— Packing :
 R: Reel
 T : Tube



Part Name	Material	Finished
Base	PPS UL94 V0	Black
Cover	PPS UL94 V0	Black
Actuator	PA9T UL94 V0	White
Movable	Phosphor Bronze	Gold
Terminal Contact	Brass	Gold
Terminal	Brass	Gold

Poles(N)	A (mm)
01	2.80
02	5.08
03	7.62
04	10.16
05	12.70
06	15.24
07	17.78
08	20.32
09	22.86
10	25.40
12	30.48

ITEM NO.	DESCRIPTION	DRAWN	DATE
3	更新尺寸	Jack	121521
2	更新材質	Jack	091321
1	新增尺寸及公差	Jack	112114

CONTACT 建倚科技股份有限公司
CONTACT TECHNOLOGY CORP.

TOLERANCE UNLESS OTHERWISE STATED:
 Up to 5 ±0.2
 Above 5 ~ 15 ±0.3
 Above 15 ~ 30 ±0.4
 Above 30 ~ 50 ±0.5
 Angle ±0.3°

3RD. ANGEL'S
 UNITS MM

DRAWN BY:	DATE	MAT'L	TITLE	SWITCH
Jack Lu	12/15/21			
CHECKED BY:	DATE	FINISH	MODLE	DIP SWITCH
Jacky Chen	12/15/21			
APPROVED BY:	DATE	SCALE	DWG NO.	DSIC _{xx} LSGEx
Tony Kao	12/15/21	1 : 1		
		SHEET NO.	PART NO.	DSIC _{xx} LSGEx
		1 of 1		
				SIZE A4
				VER R3