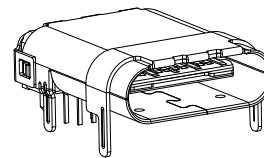
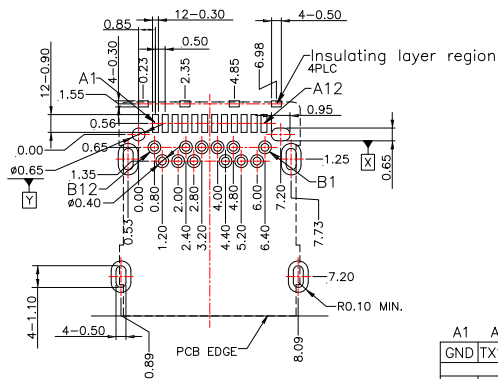
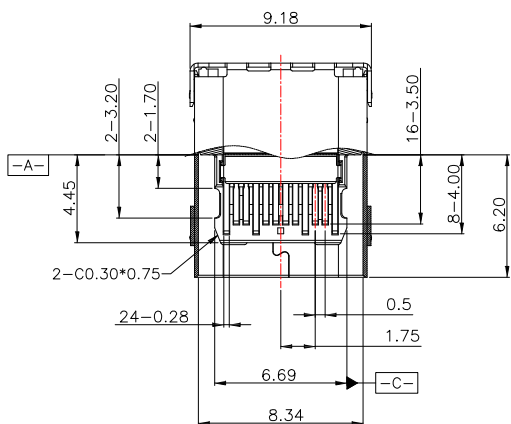




SBC-240S2-31x-S242

鍍層厚度:

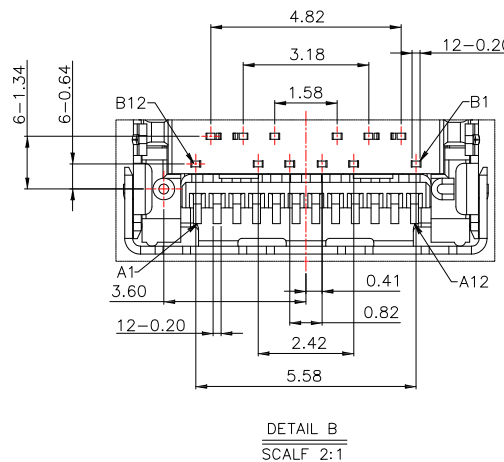
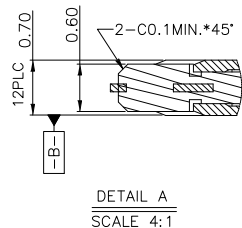
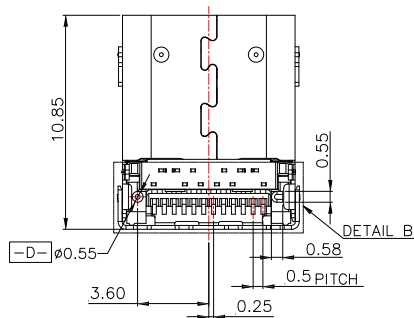
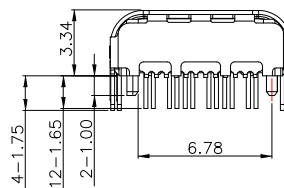
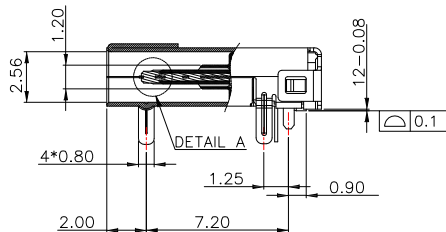
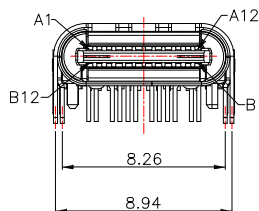
Blank : 1u"
2 : 15u"
3 : 30u"



A1	A2	A3	A4	A5	A6	A7	A8	A9	A10	A11	A12
GND	TX1+TX1-	VBUS	CC1	D+	D-	SBU1	VBUS	RX2-	RX2+	GND	
B12	B11	B10	B9	B8	B7	B6	B5	B4	B3	B2	B1
GND	RX1+RX1-	VBUS	SBU2	D-	D+	CC2	VBUS	TX2-	TX2+	GND	

INTERFACE DEFINITION

P.C.B LAYOUT MOUNTING PATTERN



SPECIFICATIONS

Electrical:

- Current Rating: 5.0A For VBUS Pin
1.25A For VCONN Pin

- Contact Resistance: 40 mΩ Max
- Insulation Resistance: 100 MΩ Min
- Dielectric Withstanding Voltage: 100V AC

Mechanical:

- Connector Mate and Unmate Force
 - Mate force: 5~20 N
 - Unmate force: 8~20 N

Material:

- Housing: LCP,UL 94V-0
- Contact: Phosphor Bronze
- Shell: Stainless Steel

Finish:

- Contact: Plated Gold in Mating Area ;
Tin Plated on Solder Balls ;
Nickel under plated overall
- Shell: Nickel under Plated surface layer

CONTACT 建倚科技股份有限公司
CONTACT TECHNOLOGY CORP.

TOLERANCE UNLESS OTHERWISE STATED :	Up to 5 ±0.2	3RD. ANGEL'S	UNITS	MM
	Above 5 ~ 15 ±0.3			
	Above 15 ~ 30 ±0.4			
	Above 30 ~ 50 ±0.5			
	Angle ±0.3°			

DRAWN BY:	DATE	MAT'L	TITLE	CONNECTOR
Jack Lu	08/05/15			
CHECKED BY:	DATE	FINISH	MODLE	USB 3.1TYPE C PIN腳長:1.6
Jacky Chen	08/05/15			
APPROVED BY:	DATE	SCALE	DWG NO.	SBC-240S2-31x-S242
Tony Kao	08/05/15	1 : 1	PART NO.	SBC-240S2-31x-S242
		SHEET NO.	1 of 1	SIZE A4
				VER R2

2	新增PCB LAYOUT中PIN的中心線及尺寸	Jack	080515
1	更新料號	Jack	070915
ITEM NO.	DESCRIPTION	DRAWN	DATE